

NEVER LEAVE HEATER  
UNATTENDED WHILE BURN-  
ING, OR WHILE CONNECTED  
TO A POWER SOURCE.



Ultra-Portable Oil-  
Fired Radiant Heater

## Exploded Drawing Part Breakdown

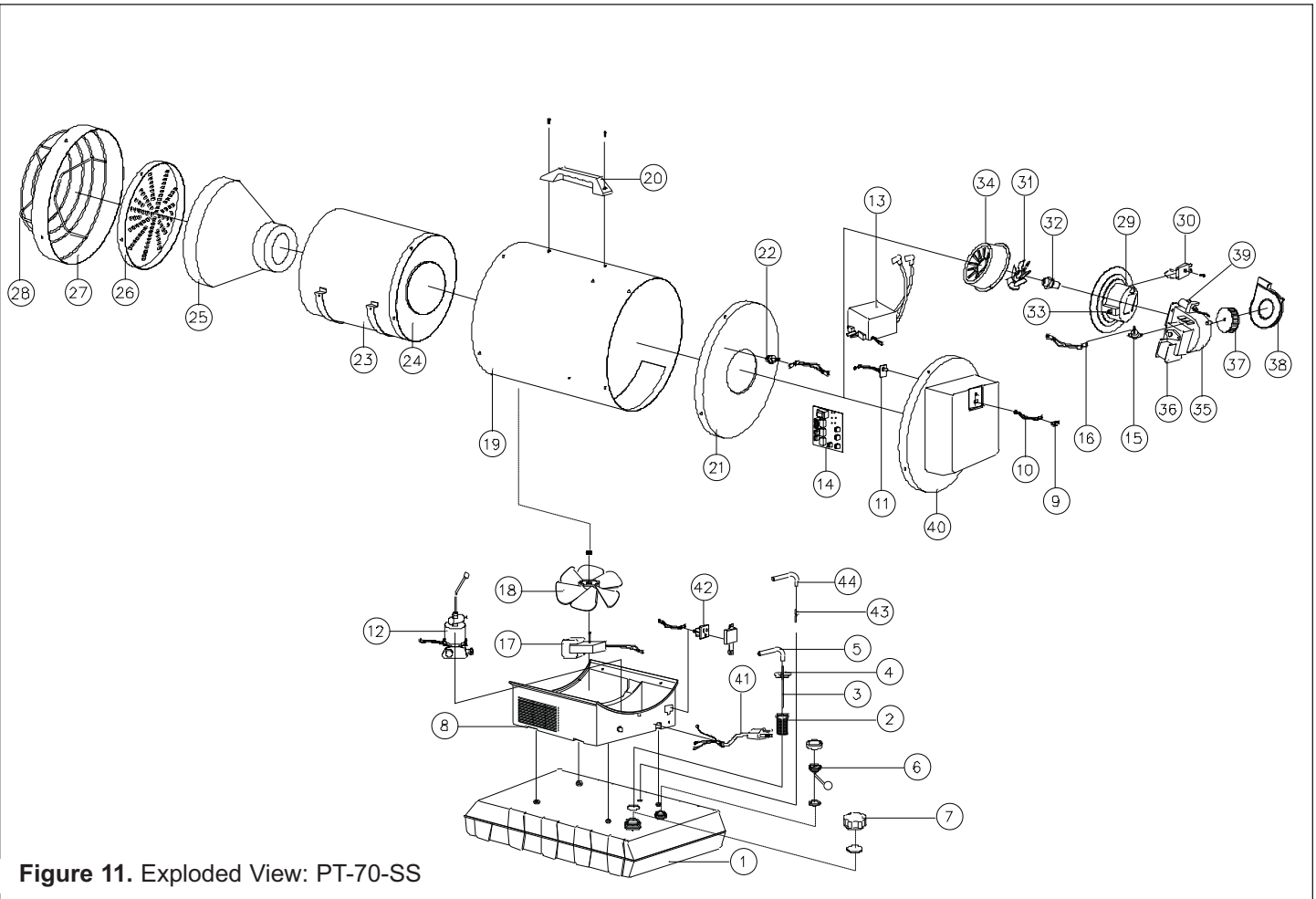


Figure 11. Exploded View: PT-70-SS

## Replacement Parts

Item #	Description	PT-70-SS
1	FUEL TANK ASSEMBLY	75-001-0300
2	OIL FILTER ASSEMBLY	75-023-0260
3	FUEL PIPE	75-023-0340
4	FUEL PACKING	75-023-0350
5	FUEL HOSE	75-024-0510
6	FUEL GAUGE ASSEMBLY	75-022-0200
7	FUEL CAP ASSEMBLY	75-002-0100
8	COOLING FAN HOUSING	75-011-0660
9	OPERATING SWITCH	75-012-0110
10	OPERATING SWITCH WIRE ASSEMBLY	75-012-0220
11	REAR PCB ASSEMBLY	75-013-0200
12	ELECTRONIC-PUMP ASSEMBLY	75-027-0250

**NEVER LEAVE HEATER  
UNATTENDED WHILE BURN-  
ING, OR WHILE CONNECTED  
TO A POWER SOURCE.**



**Ultra-Portable Oil-  
Fired Radiant Heater**

## **Replacement Parts**

<b>Item #</b>	<b>Description</b>	<b>PT-70-SS</b>
13	IGNITOR	75-025-0120
14	MAIN PCB ASSEMBLY	75-025-0400
15	TIP OVER SENSOR	75-051-0200
16	TIP OVER SENSOR WIRE ASSEMBLY	75-051-0260
17	COOLING MOTOR ASSEMBLY	75-047-0250
18	COOLING FAN	75-047-0200
19	SHELL	75-011-1000
20	HANDLE	75-001-0060
21	SHELL INSULATOR	75-011-1100
22	TEMPERATURE LIMIT(OVERHEAT) SWITCH	75-040-0100
23	CHAMBER ASSEMBLY	75-035-0800
24	CHAMBER INSULATOR	75-035-0820
25	CERAMIC FIBER	75-035-0830
26	HEAT PLATE	75-012-0600
27	SHELL-RING	75-011-0650
28	SAFETY GUARD	75-012-0310
29	BURNER BODY	75-036-0180
30	SPARK PLUG	75-075-0200
31	BURNER BLADE	75-036-0120
32	NOZZLE	75-036-0400
33	NIPPLE	75-040-0600
34	DIFFUSION CAP	75-036-0500
35	BLOWER BODY	75-045-0220
36	BLOWER MOTOR ASSEMBLY	75-045-0200
37	BLOWER FAN	75-045-0230
38	BLOWER COVER	75-045-0240
39	PHOTOCELL ASSEMBLY	75-038-0200
40	BACK COVER	75-013-0105
41	POWER CORD ASSEMBLY	75-032-0180
42	ELECTRICAL OUTLET ASSEMBLY	70-029-0100
43	RETURN PIPE	75-055-0100
44	RETURN HOSE	75-055-0200