

**NEVER LEAVE HEATER  
UNATTENDED WHILE BURN-  
ING OR WHILE CONNECTED  
TO A FUEL SOURCE**



**Propane  
Tank Top Heaters**

## Lighting Instructions (Continued)

### To Turn Off Heater

1. Turn the valve on the LP cylinder clockwise to stop the flow of fuel.
2. Turn the Heater Regulator Knob to the "OFF" position, and wait at least fifteen (15) minutes for the heater to cool.
3. Remove the heater from the LP cylinder by reversing the steps in **Connecting Heater to LP Cylinder** on Page 4. **Do not store the LP cylinder with the heater still attached, or in an enclosed area.**

**▲ CAUTION** *Always keep this heater out of the reach of children.*

**▲ DANGER** *Never bring or store a propane cylinder indoors.*

## Maintenance and Storage

1. Inspect your heater before each use. Check all connections for leaks, following the procedure outlined on Pages 4 and 5. Check the Regulator Hose (dual burner models only) for any cracks, breaks or wear. If the hose is damaged replace it with the correct manufacturers part.
2. After use, always disconnect the heater from the LP cylinder, and store the heater separately from the tank. Be sure to close the tank valve after use, and before storage. The LP cylinder should be stored outdoors in accordance with chapter 5 of the Standard for Storage and Handling of Liquefied Petroleum Gasses (ANSI/INFP 58).

## Replacement Parts List

Item Number	Description	Part Number for Models:	
		PT-15-TTC	PT-30-TTC
1	Regulator Assembly	20-032-0001	20-032-0002
2	Hose Assembly	–	20-051-0001
3	Manifold Assembly	–	20-111-0001
4	Safety Valve Assembly	20-013-0001	20-013-0001
5	Burner Assembly	20-023-0001	20-023-0001
6	Front Guard	20-101-0001	20-101-0001
7	Thermocouple	20-091-0001	20-091-0001
8	Tank Collar Bracket	–	20-504-0001
9	Mounting Bolt Knob	–	20-503-0001
10	Rear Guard	20-101-0002	20-101-0002
11	Manifold Bracket - A	–	20-111-0002
12	Manifold Spring	–	20-111-0003
13	Manifold Bracket - B	–	20-111-0004
14	Manifold Bracket - C	–	20-111-0005
15	MPU Lead Wire - A	20-015-0001	20-015-0001
16	MPU Lead Wire - B	–	20-015-0002
17	Wing Bolt	20-111-0006	20-111-0006
18	Tipover Switch Bracket	20-095-0002	20-095-0002
19	Tipover Switch	50-017-0001	50-017-0001
20	Wind Cover	20-023-0005	20-023-0005

Pinnacle Products International, Inc. reserves the right to make any changes in materials, specifications, prices or design without notice. Pinnacle Products International, Inc. may also discontinue items at any time.

NEVER LEAVE HEATER  
UNATTENDED WHILE BURN-  
ING OR WHILE CONNECTED  
TO A FUEL SOURCE



Propane  
Tank Top Heaters

**Exploded View**

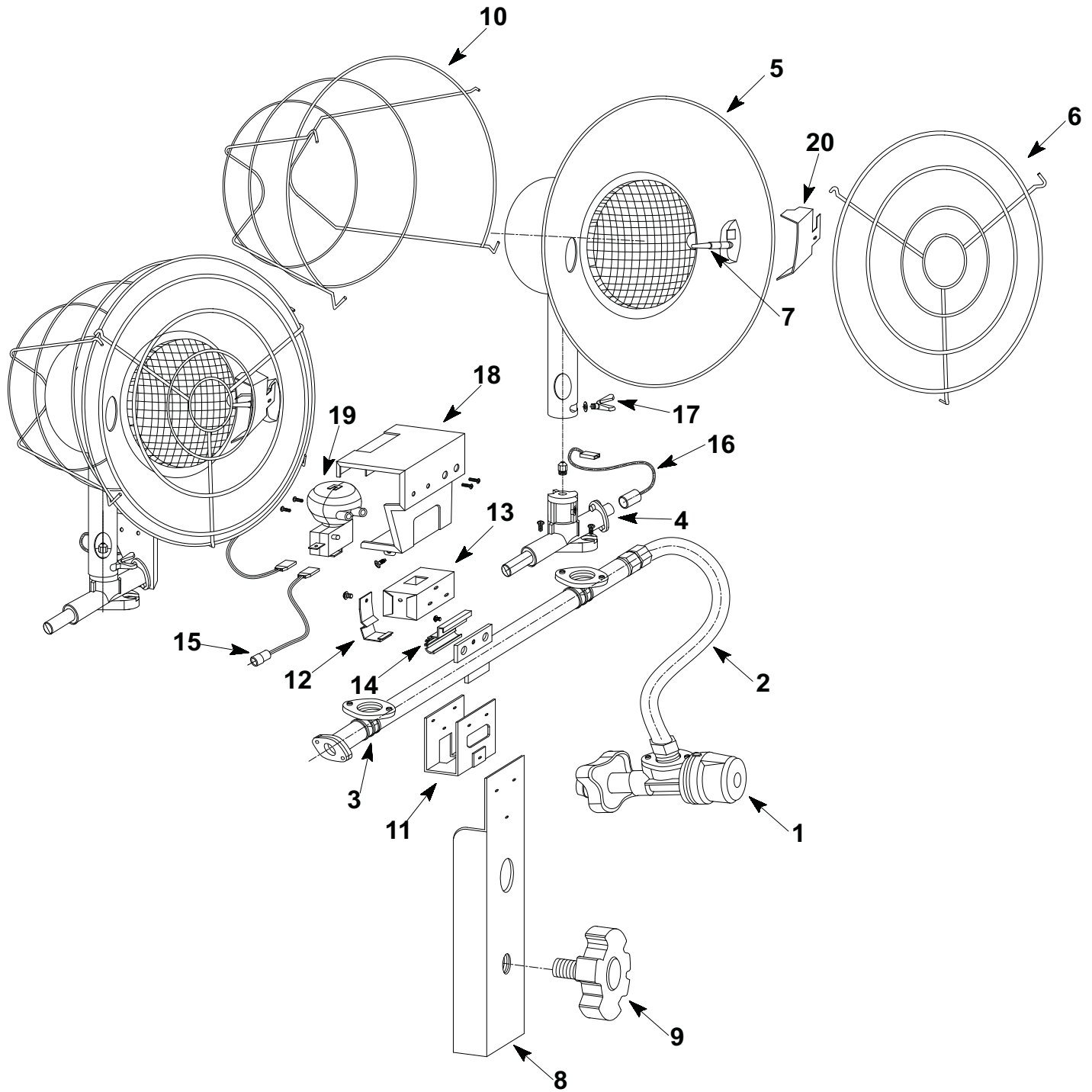


Figure 4. Exploded view of Tank Top heater