



PT-18W-DDF

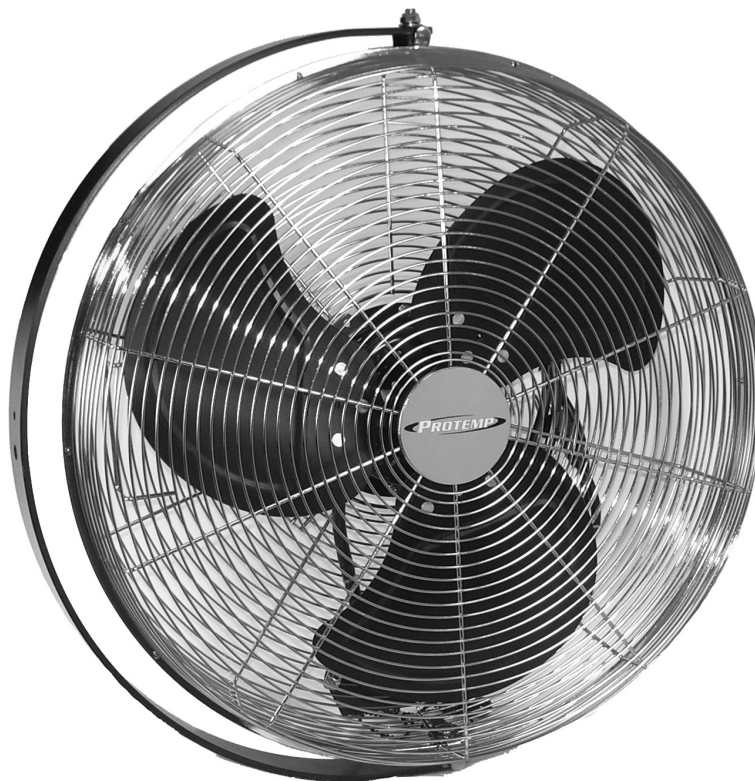


Table of Contents

Safety Information.....2
 Installation, Maintenance and Storage.....2
 Exploded View.....3
 Replacement Parts List.....3
 Troubleshooting.....4
 Warranty4

IMPORTANT: Read and understand all of the directions in this manual before assembling, starting or servicing the fan. Improper use of this fan can cause serious injury. Keep this manual for future reference.

Model	MAX HP	CFM	
		HIGH	LOW
18"	1/5 HP	3,900	2,900
Specifications subject to change without notice			

This product meets or exceeds the requirements of OSHA 1910.212(a)(5), the standard which regulates electric fan blade safety, and is certified, by Underwriters Laboratories, Inc.

CONSUMER: Retain this manual for future reference.

Pinnacle Products International, Inc. 668 Stony Hill Road #302 Yardley, PA 19067 USA
Phone: 215-891-8460 Fax: 215-891-8461 Web: www.pinnacleint.com Email: info@pinnacleint.com

IMPORTANT: READ ALL INSTRUCTIONS CAREFULLY BEFORE ASSEMBLY, SERVICE OR USE OF THIS FAN. FAILURE TO COMPLY WITH THESE INSTRUCTIONS COULD RESULT IN SERIOUS PERSONAL INJURY AND / OR PROPERTY DAMAGE.

Safety Information

⚠ WARNING:

1. This unit is designed for indoor use only. Do not expose to elements or allow to become wet.
2. To guard against electric shock while operating, do not allow fan to come in contact with other grounded objects such as pipes, radiators, etc.
3. To reduce the risk of electrical shock, do not use with any solid state speed control device.
4. Do not use to exhaust hazardous chemicals or use near any flammable liquids or gases as sparks from motor may ignite fumes.
5. Turn off, unplug unit, and wait for fan to stop before moving, storing, and / or changing operating locations.
6. Operate only on 115 volt 60 Hz (cycle) current with a minimum of a 15 amp circuit.
7. Before operating always check fan for loose or damaged parts. Inspect power cord for any damage. Never use fan if any parts are damaged or missing. Never use fan without safety guards attached.
8. When used with an extension cord, use only cord of proper size (Amp rating), UL listed, and with receptacle to accept three prong grounded plug furnished on the fan's power cord. Always keep power cord and extension cords away from heat, oil, and sharp edges. Inspect cords periodically and replace if damaged.
9. Disconnect fan from power source when not in use, before servicing and when cleaning or repairing.
10. Repair of this appliance should be done by a qualified electrician.
11. In case of power failure, turn fan off at switch to prevent unexpected restarting and component damage.
12. Keep children away from fan at all times.

Installation

⚠ WARNING: The installer **MUST** be certain that the support bracket is mounted to a minimum of a 2x4" stud, and that it is able to support 50 pounds continuously.

1. Mount fan to stud with support bracket in the vertical position using a 3/8" diameter x 2" long lag screw.
2. Once 3/8" lag screw is secured and tightened, insert and tighten a 3/16" diameter x 2" long lag screw into smaller hole of Support Bracket (Hardware not included).

Operation

This fan is equipped with a 3-speed control switch.
To start fan:

1. Connect to an approved power source.
2. Make sure area is clear from all obstructions.
3. Pull power chain once to operate the LOW speed and allow to operate for 10 seconds.
4. Once 10 seconds have passed, you may now pull the power chain to the MED or HIGH position.

To turn off the fan, simply pull chain until the fan turns off.

Note: For longer parts life, after 10 hours of continuous operation, turn fan off for 15 minutes to allow motor to cool.

Maintenance and Storage

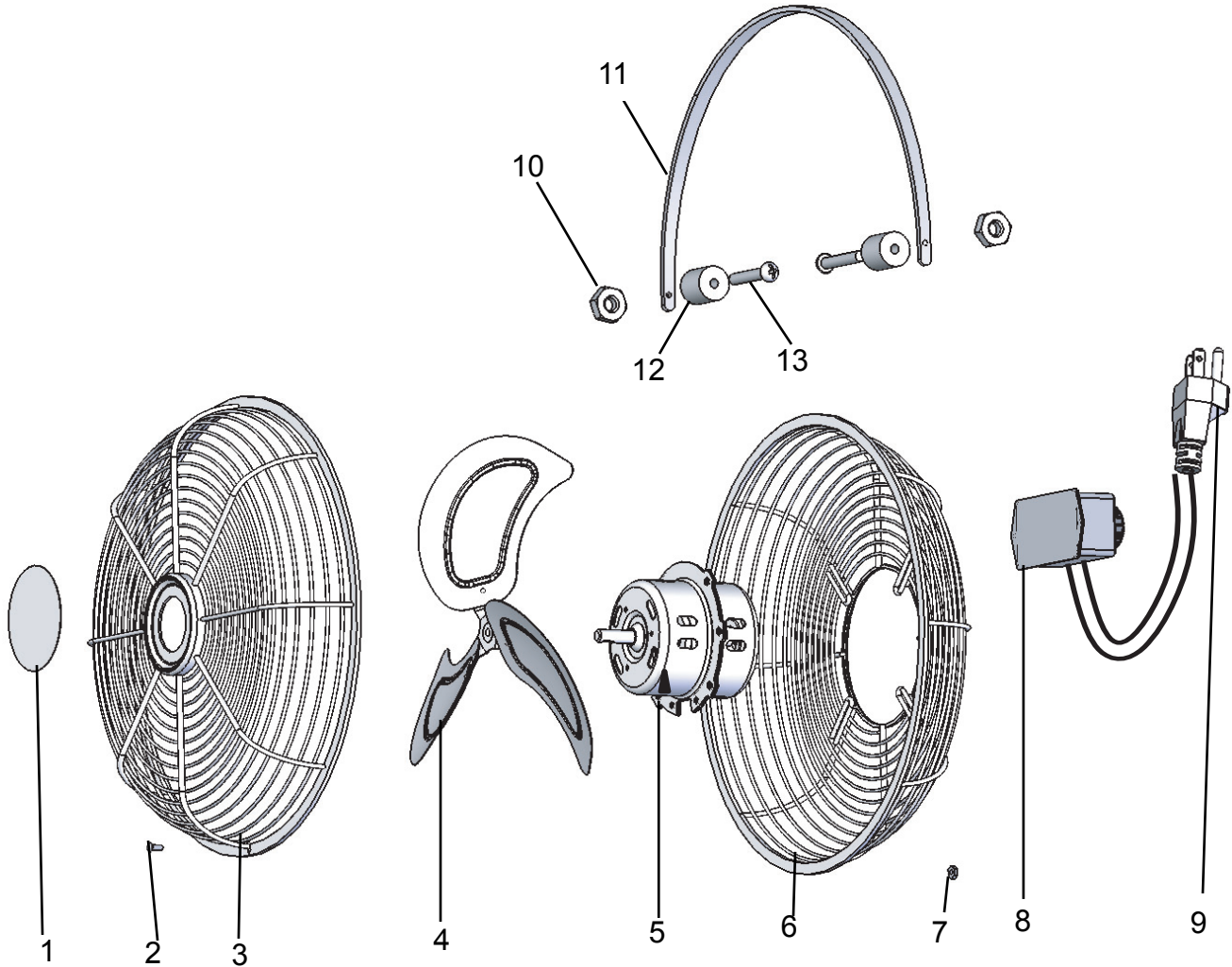
1. Inspect your fan before each use. Check all wires and extension cords, following the Safety Information.
2. After use, always be sure fan is in the OFF position before unplugging. Secure power cord with cord wrap on back of fan to keep cord off the ground when transporting fan.

**NEVER LEAVE A FAN
OPERATING UNATTENDED**



**Portable
Air Circulator**

Exploded View



Replacement Parts

Item #	Description	Bill of Materials
1	Logo Plate	95-043-0300
2	Guard Screw	95-033-0210
3	Front Guard	95-032-0120
4	Fan Blade Assembly	95-003-0300
5	Motor	95-030-0300
6	Rear Guard	95-032-0220

Item #	Description	Bill of Materials
7	Guard Nut	95-034-0110
8	Power Regulator	95-025-0300
9	Plug	95-026-0210
10	Support Nut	95-034-0210
11	Support Bracket	95-010-0200
12	Rubber Stopper	95-011-0200
13	Support Screw	95-033-0310

NEVER LEAVE A FAN
OPERATING UNATTENDED



Portable
Air Circulator

Troubleshooting Guide

Problem	Possible Cause	Corrective Action
Fan does not operate	1. No power	Inspect Power Cord for damage. Be sure unit is plugged in and turned on.
	2. Bad controller	Replace Power Regulator (Note: To prolong life of Power Regulator, operate fan first in 1(Low) for 5-10 seconds before switching to 2(MED) or 3(HIGH).
	3. Bad motor	Replace Motor.
Reduced Air Flow	1. Obstruction	Turn off and unplug fan. Remove guard and make sure nothing is obstructing the fan blades.
Excess Noise (vibration, squealing)	1. Fan is not secure on wall	Turn off fan, and secure hardware to wall.
	2. Grille is not secure	Check grille screws to be sure all are tight.

1 YEAR LIMITED WARRANTY

Pinnacle Products International, Inc. warrants this product to the original retail purchaser only, to be free from defects in material and workmanship for a period of one (1) year from the date of initial purchase. This product must be properly installed, maintained and operated in accordance with the instructions provided. **Pinnacle Products International, Inc.** requires reasonable proof of your date of purchase from an authorized retailer or distributor. Therefore, you should keep your sales slip, invoice, or cancelled check from the original purchase. This Limited Warranty shall be limited to the repair or replacement of parts, which prove defective under normal use and service within the warranty period, and which **Pinnacle Products International, Inc.** shall determine at its reasonable discretion.

This warranty does not apply to products purchased for rental use.

This Limited Warranty does not cover any failures or operating difficulties due to normal wear and tear, accident, abuse, misuse, alteration, misapplication, improper installation or improper maintenance and service by you or any third party. Failure to perform normal and routine maintenance on the fan, shipping damage, damage related to insects, birds, or animals of any kind, and damage due to weather conditions are also not covered. In addition, the Limited Warranty does not cover damage to the finish, such as scratches, dents, discoloration, rust or other weather damage, after purchase.

All transportation costs for the return of the damaged product or parts will be the responsibility of the purchaser. Upon receipt of damaged item, **Pinnacle Products International, Inc.** will examine the item and determine if defective. **Pinnacle Products International, Inc.** will repair or replace and return the item, freight pre-paid. If **Pinnacle Products International, Inc.** finds the item to be in normal operating condition, or not defective, the item will be returned freight collect.

This Limited Warranty is in lieu of all other express warranties. **Pinnacle Products International, Inc.** disclaims all warranties for products that are purchased from sellers other than authorized retailers or distributors.

AFTER THE PERIOD OF THE ONE (1) YEAR LIMITED WARRANTY EXPIRES, **Pinnacle Products International, Inc.** DISCLAIMS ANY AND ALL IMPLIED WARRANTIES, INCLUDING WITHOUT LIMITATION THE IMPLIED WARRANTIES OF MERCHANTABILITY AND FITNESS FOR A PARTICULAR APPLICATION. FURTHER, **Pinnacle Products International, Inc.** SHALL HAVE NO LIABILITY WHATSOEVER TO PURCHASER OR ANY THIRD PARTY FOR ANY SPECIAL, INDIRECT, PUNITIVE, INCIDENTAL, OR CONSEQUENTIAL DAMAGES. **Pinnacle Products International, Inc.** assumes no responsibility for any defects caused by third parties. This Limited Warranty gives the purchaser specific legal rights; a purchaser may have other rights depending upon where he or she lives. Some states do not allow the exclusion or limitation of special, incidental or consequential damages, or limitations on how long a warranty lasts, so the above exclusion and limitations may not apply to you.

Pinnacle Products International, Inc. does not authorize any person or company to assume for it any other obligation or liability in connection with the sale, installation, use, removal, return, or replacement of its equipment, and no such representations are binding on **Pinnacle Products International, Inc.**

Always be sure to specify model number and serial number when making any claim with **Pinnacle Products International, Inc.** For your convenience use the space provided below to list this information:

Model #: _____

Serial #: _____

Date of Purchase: _____