

**NEVER LEAVE HEATER
UNATTENDED WHILE BURN-
ING OR WHILE CONNECTED
TO A POWER SOURCE**



**Oil-Fired Radiant
Heaters**

Exploded Drawing Part Breakdown

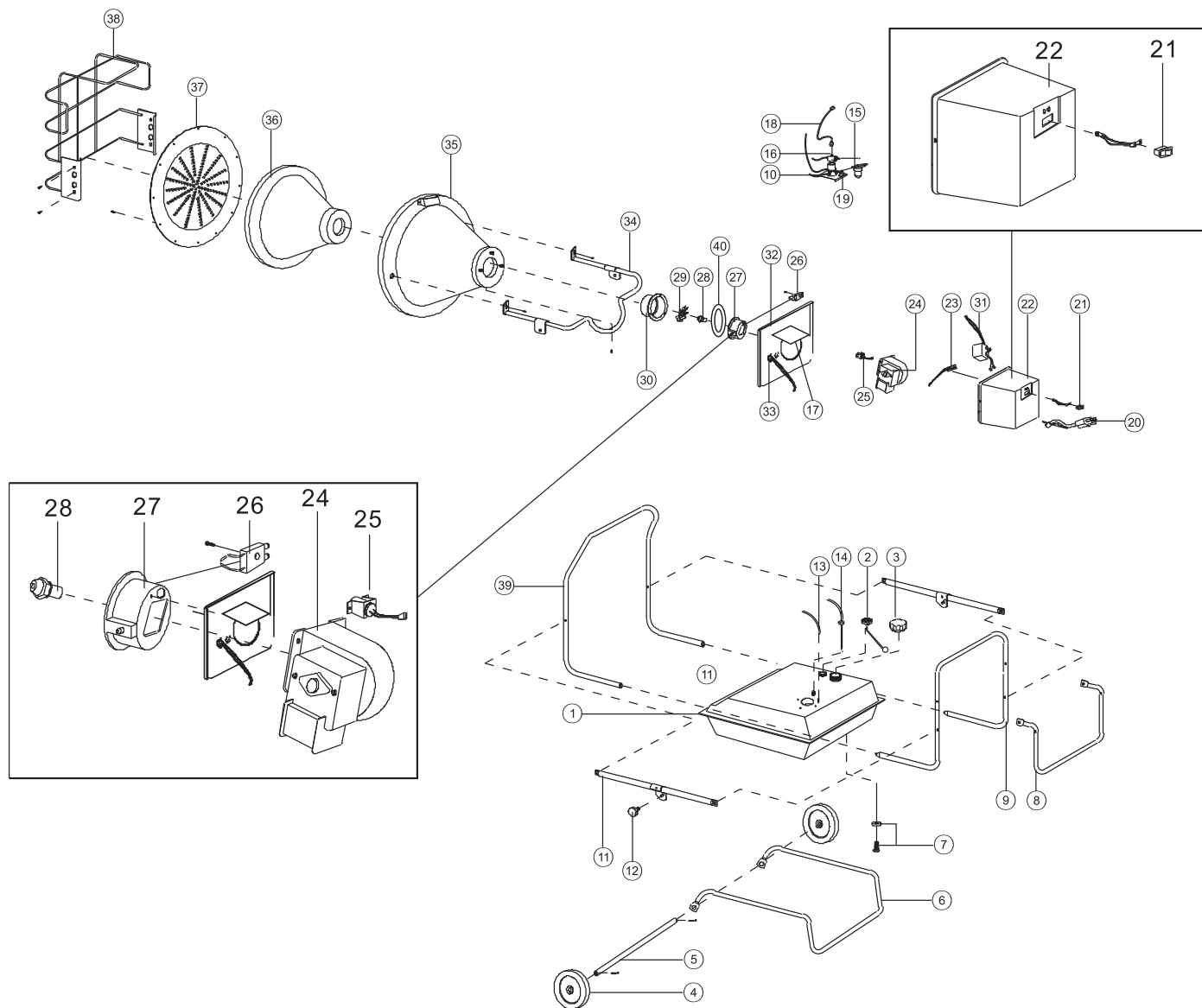


Figure 11. Exploded View: PT-125-OFR-A

Replacement Parts

Item #	Description	PT-125-OFR-A
1	Fuel Tank Assembly	72-001-0110
2	Fuel Gauge Assembly	72-022-0110
3	Fuel Tank Cap Assembly	72-002-0100
4	Wheel	72-041-0100
5	Axle	72-041-0200
6	Wheel Frame	72-042-0100

**NEVER LEAVE HEATER
UNATTENDED WHILE BURN-
ING OR WHILE CONNECTED
TO A POWER SOURCE**



**Oil-Fired Radiant
Heaters**

Replacement Parts

Item #	Description	PT-125-OFR-A
7	Drain Bolt	72-002-0210
8	Transport Handle	72-042-0200
9	Rear Frame	72-042-0300
10	Pump Support Plate	72-025-0510
11	Frame Support	72-035-0300
12	Height Adjustment Knob	72-042-0500
13	Return Fuel Line	72-023-0110
14	Intake Fuel Line	72-023-0210
15	Fuel Filter Assembly	72-020-0100
16	Fuel Pump Assembly	72-027-0100
17	Main PCB and Fuse	72-025-0400
18	Intake Fuel Hose	72-023-0310
19	Tip Over Sensor	75-051-0200
20	Power Cord	72-032-0150
21	Operation Switch	72-012-0100
22	Back Cover	72-013-0110
23	Panel sub-PCB	72-014-0100
24	Blower Motor Assembly	72-045-0100
25	Photocell Assembly	72-038-0200
26	Spark Plug	75-075-0200
27	Burner Body	72-035-0210
28	Nozzle	72-036-0100
29	Burner Blade	72-035-0500
30	Diffusion Cap	72-036-0200
31	Ignitor	72-025-0120
32	Burner Support Plate	72-035-0100
33	Temperature Overheat Sensor	72-040-0100
34	Radiant Cone Support Assembly	72-035-0600
35	Radiant Cone Assembly	72-035-0610
36	Ceramic Fiber	72-035-0620
37	Heat Plate	72-012-0400
38	Safety Guard	72-012-0200
39	Front Frame	72-042-0400
40	Burner Bracket	72-035-0700