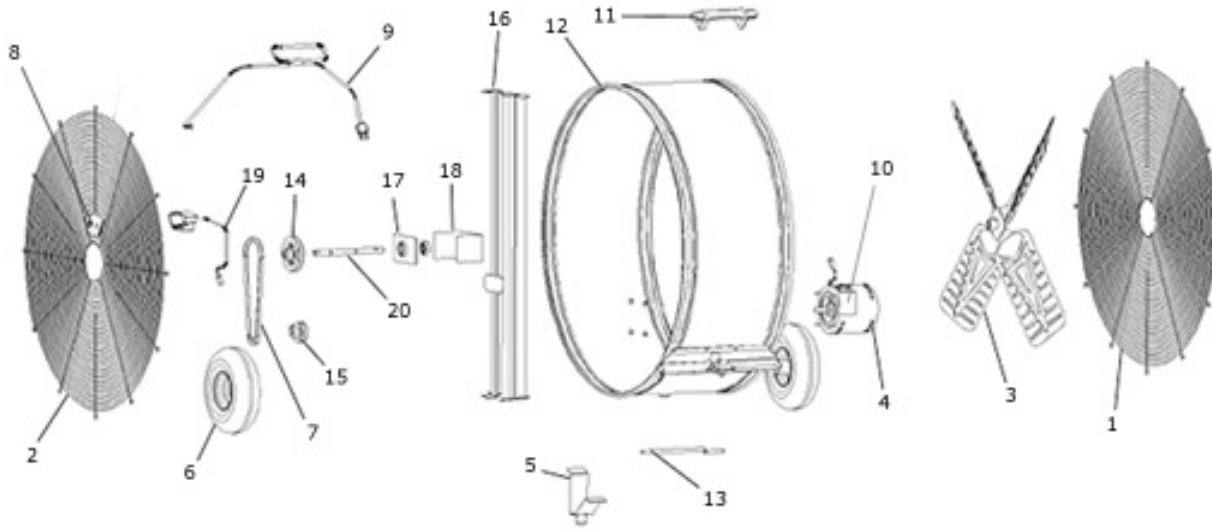


**NEVER LEAVE A FAN
OPERATING UNATTENDED**



**Portable
Air Circulator**



Exploded View of Fan

Replacement Parts

Item #	Description	Bill of Materials	
		BDF-36DT	BDF-42DT
1	Front Guard	90-032-0040	90-032-0050
2	Rear Guard	90-032-0045	90-032-0055
3	Fan Blade Assy	90-003-1000	90-003-2000
4	Motor	90-030-0100	90-030-0200
5	Leg	90-002-0100	90-002-0200
6	Pneumatic Wheel	90-008-0150	90-008-0200
7	Belt	90-037-0100	90-037-0200
8	Power Switch	90-025-0100	90-025-0100
9	Power Cord	90-026-0100	90-026-0100
10	Capacitor Assy	90-004-1500	90-004-1500
11	Handle	90-006-0100	90-006-0100
12	Frame	90-001-0100	90-001-0200
13	Wheel Axle	90-008-0250	90-008-0250
14	Fan Pulley	90-034-0100	90-034-0200
15	Motor Pulley	90-035-0100	90-035-0100
16	Mount Bar	90-009-0200	90-009-0250
17	Bearing Frame	90-012-0100	90-012-0100
18	Bearing Housing	90-013-0100	90-013-0100
19	Power Switch Holder	90-016-0100	90-016-0100
20	Fan Shaft	90-003-0300	90-003-0300