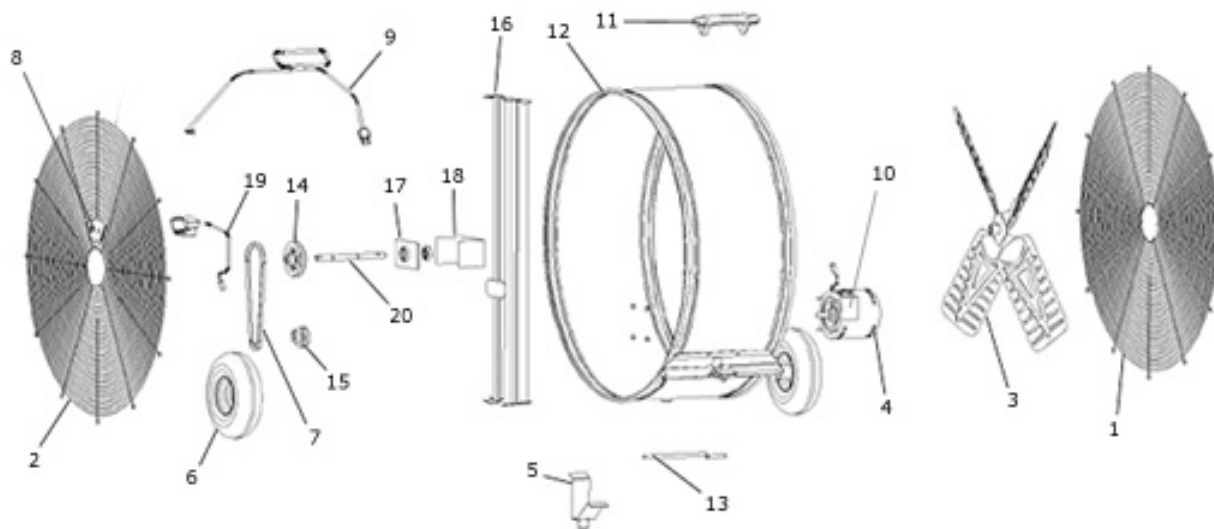


**NEVER LEAVE A FAN
OPERATING UNATTENDED**



**Portable
Air Circulator**



Exploded View of Fan

Replacement Parts

Item #	Description	Bill of Materials		
		BDF-36A, 36DTA	BDF-42A, 42DTA	BDF-48A, 48DTA
1	Front Guard	90-032-0100	90-032-0200	90-032-0300
2	Rear Guard	90-032-0150	90-032-0250	90-032-0350
3	Fan Blade Assy	90-003-1000	90-003-2000	90-003-3000
4	Motor	90-030-0300	90-030-0400	90-030-0500
5	Leg	90-002-0300	90-002-0300	90-002-0300
6	Pneumatic Wheel	90-008-0300	90-008-0400	90-008-0400
7	Belt	90-037-0100	90-037-0200	90-037-0300
8	Power Switch	90-025-0100	90-025-0100	90-025-0100
9	Power Cord	90-026-0100	90-026-0100	90-026-0100
10	Capacitor	90-004-0100	90-004-0100	90-004-0100
11	Handle / Cord Wrap	90-006-0200	90-006-0200	90-006-0200
12	Frame	90-001-0300, -0400	90-001-0500, -0600	90-001-0700, -0800
13	Wheel Axle	90-008-0350	90-008-0450	90-008-0450
14	Fan Pulley	90-034-0100	90-034-0200	90-034-0200
15	Motor Pulley	90-035-0200	90-035-0200	90-035-0200
16	Mount Bar	90-009-0100	90-009-0200	90-009-0300
17	Bearing Frame	90-012-0100	90-012-0100	90-012-0100
18	Bearing Housing	90-013-0100	90-013-0100	90-013-0100
19	Power Switch Holder	90-016-0200	90-016-0200	90-016-0200
20	Fan Shaft	90-003-0300	90-003-0300	90-003-0300