



Model #s: PT-15243-SH, PT-15241-SH,
PT-15483-SH, PT-10241-SH,
PT-15208-SH, PT-30483-SH



▲ WARNING Be sure to comply with the instructions and warnings provided with this heater, or death, serious bodily injury and property loss, damage from the hazards of fire, explosion, burn, asphyxiation, and carbon monoxide poisoning can result. Only persons who can follow and understand these instructions should use or service this heater. If you need heater information such as an instruction manual, labels, etcetera, contact the manufacturer.

IMPORTANT: Read and understand all of the directions in this manual before assembling, starting, or servicing the heater. Improper use of this heater can cause serious injury. **Keep this manual for future reference.**

Table of Contents

Dimensions	1
Specifications	1
General Safety Information	2
Features	2-3
Assembly	3-5
Wiring	5-6
Operating Instructions	7
Maintenance and Storage	7
Exploded Part Illustration	8
Replacement Parts List	8-9
Troubleshooting	10

CONSUMER: Retain this manual for future reference.

**NEVER LEAVE HEATER
UNATTENDED WHILE OPERAT-
ING, OR WHILE CONNECTED TO
A POWER SOURCE.**



Electric Forced Air Heaters

Specifications

Model	Unit Weight (Lbs.)	Kilowatts	Volts	Phase	Amps	Fan Output	Heat Output
PT-15243-SH	76	15	240	3	36	790 CFM	51,216 BTU/Hr
PT-15241-SH	76	15	240	1	63	790 CFM	51,216 BTU/Hr
PT-15483-SH	76	15	480	3	18	790 CFM	51,216 BTU/Hr
PT-10241-SH	71	10	240	1	42	790 CFM	34,144 BTU/Hr
PT-15208-SH	76	15	208	3	42	790 CFM	51,216 BTU/Hr
PT-30483-SH	88	30	480	3	36	1,200 CFM	102,432 BTU/Hr

Specifications subject to change without notice

Dimensions (Cart / Suspended)

Model	Length	Width	Height
PT-15243-SH	21" / 36"	27" / 23"	39" / 23"
PT-15241-SH	21" / 36"	27" / 23"	39" / 23"
PT-15483-SH	21" / 36"	27" / 23"	39" / 23"
PT-10241-SH	21" / 36"	27" / 23"	39" / 23"
PT-15208-SH	21" / 36"	27" / 23"	39" / 23"
PT-30483-SH	23" / 38"	27" / 23"	39" / 23"

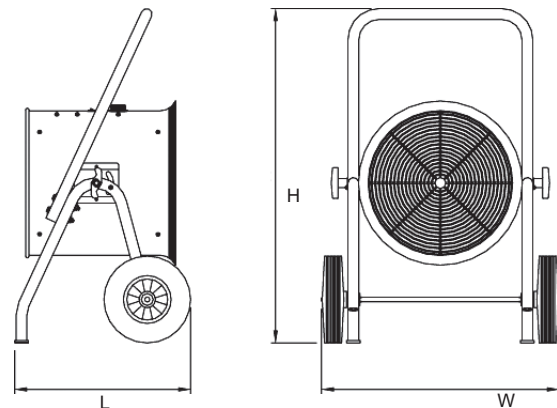


Figure 1. Heater in Cart Mode

Unpacking

Remove the heater and all of its packaging materials from the shipping carton.

NOTE: Save the box and packaging materials for future use.

General Safety Information

Do not operate this heater until you have read, and thoroughly understand these safety and operating instructions. Failure to comply with the precautions and instructions provided with this heater can result in death, serious bodily injury, property loss or damage from the hazards of fire, explosion, burns, or electric shock. Only persons who can read and understand these instructions should use or service this heater. Not for residential, household or recreational vehicle use. Please read this manual

▲ WARNING FIRE, BURN, INHALATION AND EXPLOSION HAZARD:

1. Keep solid combustibles, such as building materials, paper or cardboard, a safe distance away from the heater as recommended by the instructions in this manual.

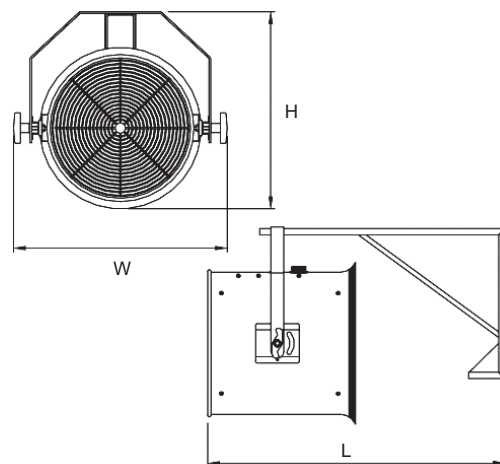


Figure 2. Heater in Suspended Mode

NEVER LEAVE HEATER UNATTENDED WHILE OPERATING, OR WHILE CONNECTED TO A POWER SOURCE.



Electric Forced Air Heaters

General Safety Information (Continued)

⚠ WARNING NEVER use the heater in locations which do or may contain volatile or airborne combustibles, or products such as gasoline, solvents, paint thinner, dust particles or unknown chemicals.

2. These heaters are design certified as portable and wall or ceiling mounted electric room heaters under UL1278 and C22.2 No. 46-M1988 standards.

3. This heater is hot when in use. To avoid burns, do not let bare skin touch hot surfaces. Use handle when moving this heater. Keep combustible materials, such as furniture, pillow, bedding, papers, clothes and curtains at least 3 feet from the front, sides and rear of the heater and the feeder cable.

⚠ DANGER Never let children operate or allow near any heater. Never leave heater operating and unattended.

⚠ CAUTION Always turn off heater at control / service panel and then unplug heater when not in use.

4. Do not operate any heater with a damaged cord or plug or after the heater malfunctions, has been dropped or damaged in any manner. Return heater to an authorized service facility for examination, electrical or mechanical adjustment, or repair.
5. Do not use this heater outdoors or in a residential or household area.
6. This heater is not intended for use in bathrooms, laundry areas and similar indoor locations.
7. Do not run the cord under any carpeting. Do not cover the cord with runners or similar coverings. Arrange cord away from traffic area and where it will not be tripped over.

8. Do not insert or allow any foreign objects to enter any ventilation or exhaust opening as this may cause an electric shock or fire, or damage to the heater.

9. To prevent a possible fire, do not block air intakes or exhaust in any manner.

10. A heater has hot and arcing or sparking parts inside. Do not use this heater in areas where gasoline, paint, or flammable liquids are used or stored.

11. Use this heater only as described in this manual. Any other use not recommended by the manufacturer may cause fire, electric shock, or injury to persons.

12. Do not operate without protective grilles or guards in place.

13. Do not modify this heater in any way, or operate any heater that has been modified from its original state.

14. It is hard to anticipate every use, which may be made of the heater. Check with your local fire safety authority if you have any questions about heater application.

15. Do not supply power to this heater when heater is near standing water.

⚠ CAUTION Avoid the use of an extension cord because the extension cord may over-heat and cause a risk of fire. If you are to use an extension cord, however:

Check and verify branch circuit voltage. Heater should NOT be operated at voltages higher than the heater ratings!

Features

The Dayton portable electric heaters come mounted on a two wheeled tilt cart assembly, which can be moved around on its cart. The heater housing can be tilted to direct the air flow to any desired location. The features of the Dayton portable electric heaters are shown in Figure 3 below.

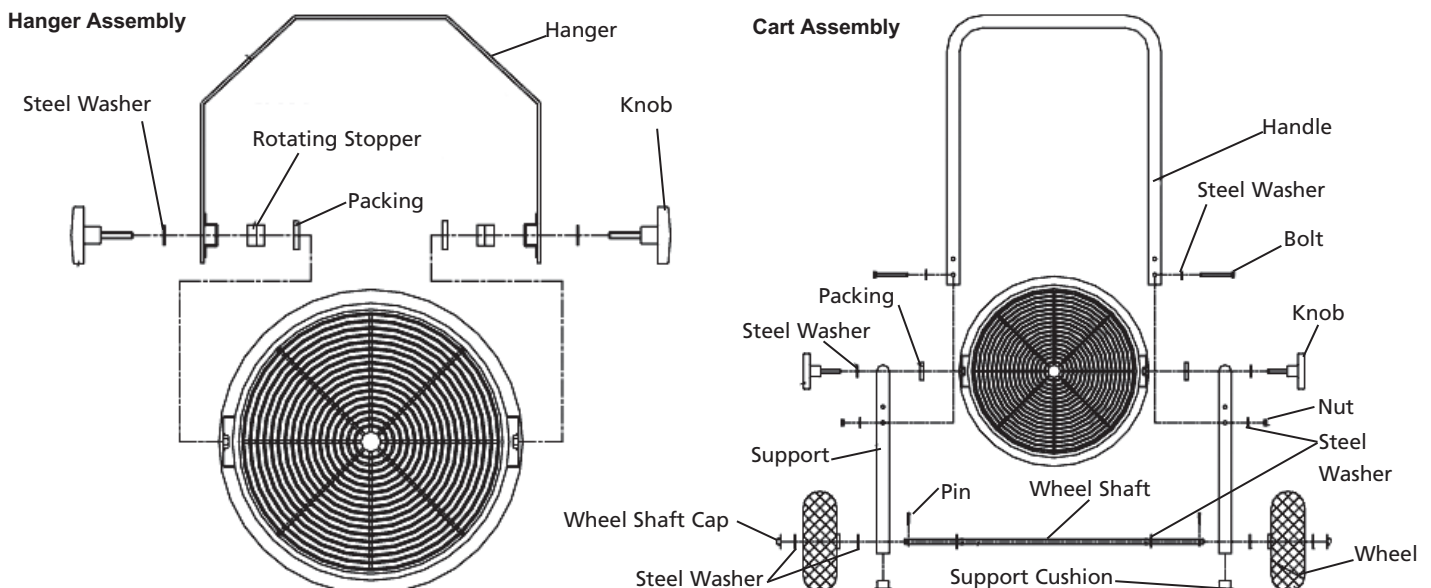


Figure 3 – Features

**NEVER LEAVE HEATER
UNATTENDED WHILE OPERAT-
ING, OR WHILE CONNECTED TO
A POWER SOURCE.**



Electric Forced Air Heaters

Assembly

ASSEMBLING THE WHEELED CART

Tools required:

(2) 1/2" socket or box wrenches

To position the handle at the proper operating height:

Step 1:

Remove and retain all of the hardware securing the legs to the handle.

Step 2:

Raise handle until holes in handle match the upper holes in the legs.

Step 3:

Re-install the hardware as shown in Figure 3, and fasten securely.

ASSEMBLING THE OPTIONAL WALL / CEILING MOUNT KIT

⚠ WARNING FALLING OBJECTS HAZARD

Serious injury or death may occur. Read and follow all safety information and instructions on pages 2 and 3.

Tools required:

(2) 3/4" socket or box wrenches

Parts required:

The two (2) screws required to secure wall/ceiling bracket to a suitable surface (not supplied), **must** be 5/16" bolts and flat washers.

Step 1:

Remove the wing knobs and remove the housing from the cart.

Step 2:

Install side rotating stop over bolts and into curved slots as shown in Figure 3, on each side of the heater.

Step 3:

Assemble hanger to heater as per Figure 3. This step requires no tools.

Step 4:

Secure mounting bracket to a surface that can support a minimum of 120 continuous pounds.

Step 5:

Attach heater to bracket using the desired option shown in Figure 4 on page 5.

- The mounting bracket supplied for the wall/ceiling mount option **MUST** be used to support heater.
- The installer **MUST** be certain that the wall or ceiling that the mounting bracket is mounted to shall be able to support 120 pounds continuously.
- The rotating stoppers shown in Figure 3 **MUST** be used.
- **DO NOT** mount the heater upside down. Locate label on the heater showing "TOP" of heater.
- The bottom of the heater must be mounted at least 6 feet from the floor and 2 feet from the ceiling.
- **DO NOT** hang any other equipment from this heater, and only hang ONE heater per mounting bracket.

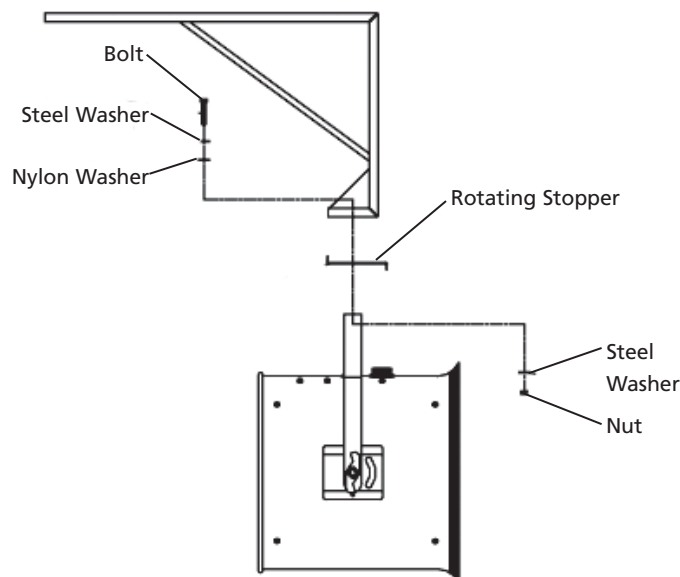


Figure 4 – Ceiling Mount Options

NEVER LEAVE HEATER UNATTENDED WHILE OPERATING, OR WHILE CONNECTED TO A POWER SOURCE.



Electric Forced Air Heaters

Wiring Instructions

NOTE: Feeder cable is not included with this heater.

⚠ WARNING *The proper size SO type feeder cable must be used for the electrical connection of this heater. The proper size cable is shown in the tables on page 4 (AWG / number of conductors). Table 1 is for cable 50 feet or less, and Table 2 is for cable longer than 50 feet. Comply with ALL electrical codes and the National Electrical Code (NFPA70) when providing electrical power to this heater. Feeder cable hook-up MUST be done by a licensed electrician*

1. Use this heater only on the voltage and frequency specified on the nameplate.
2. All wiring should be done in accordance with local codes and the National Electrical Code by a licensed electrician.
3. Branch circuit wire for connection to heater must be at least 90 degree C wire.

4. Connect green ground conductor on feeder cable or cable kit to the grounding lug on the heater.
5. A ground terminal is provided near the power terminal board. The ground wire should be connected before any other connections are made.
6. Refer to tables 1 and 2 on page 4 for the proper size SO feeder cable.
7. A proper strain relief must be used with the designated cable.
8. The control / service panel or receptacle used to supply power to this heater **MUST** have a grounding bus or ground lug that is securely bonded to earth ground.

Failure to comply with the precautions provided with this heater can result in serious injury and property loss or damage from hazards of fire, burn, and/or electric shock.

Model	Unit Rating	Cable Size *	25' Cable Part Number
PT-15243-SH	15kW - 240 Volt - 3 Phase	6/4	PT-25-64-CK
PT-15241-SH	15kW - 240 Volt - 1 Phase	4/3	PT-25-43-CK
PT-15483-SH	15kW - 480 Volt - 3 Phase	12/4	PT-25-124-CK
PT-10241-SH	10kW - 240 Volt - 1 Phase	4/3	PT-25-43-CK
PT-15208-SH	15kW - 208 Volt - 3 Phase	6/4	PT-25-64-CK
PT-30483-SH	30kW - 480 Volt - 3 Phase	6/4	PT-25-64-CK

TABLE 1 Cable Information - Under 50 ft long

Model	Unit Rating	Cable Size *	Max. Cable Length (ft)
PT-15243-SH	15kW - 240 Volt - 3 Phase	6/4	150
PT-15241-SH	15kW - 240 Volt - 1 Phase	2/3	215
PT-15483-SH	15kW - 480 Volt - 3 Phase	12/4	140
PT-10241-SH	10kW - 240 Volt - 1 Phase	4/3	140
PT-15208-SH	15kW - 208 Volt - 3 Phase	4/4	120
PT-30483-SH	30kW - 480 Volt - 3 Phase	6/4	300

TABLE 2 Cable Information - Over 50 ft long

* Cable Size: AWG / Number of Conductors

**NEVER LEAVE HEATER
UNATTENDED WHILE OPERATING,
OR WHILE CONNECTED TO
A POWER SOURCE.**



**Electric Forced
Air Heaters**

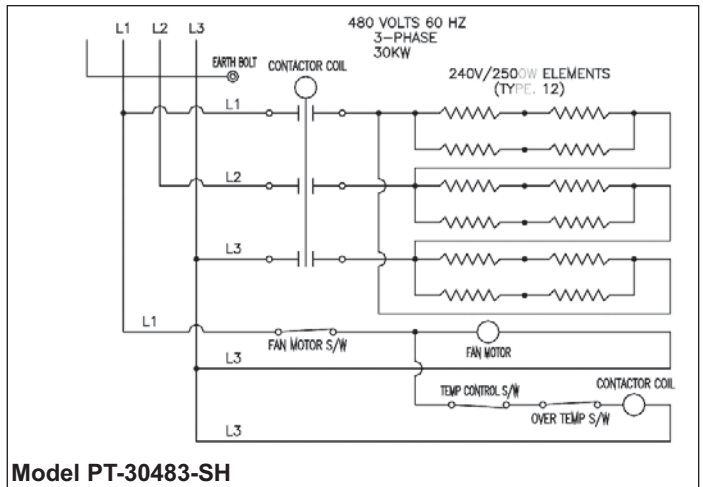
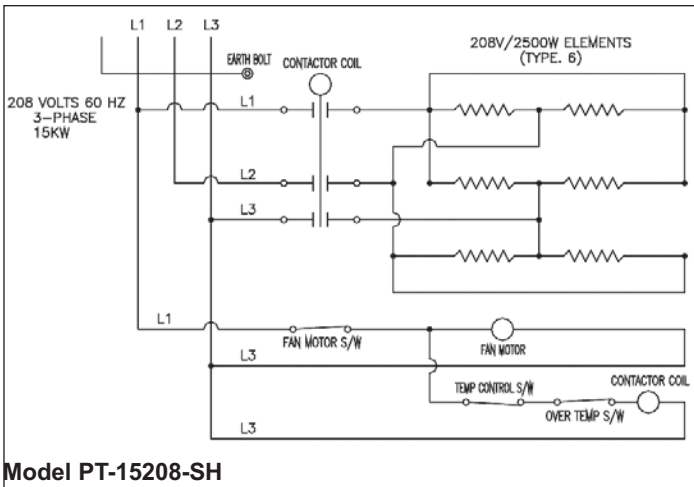
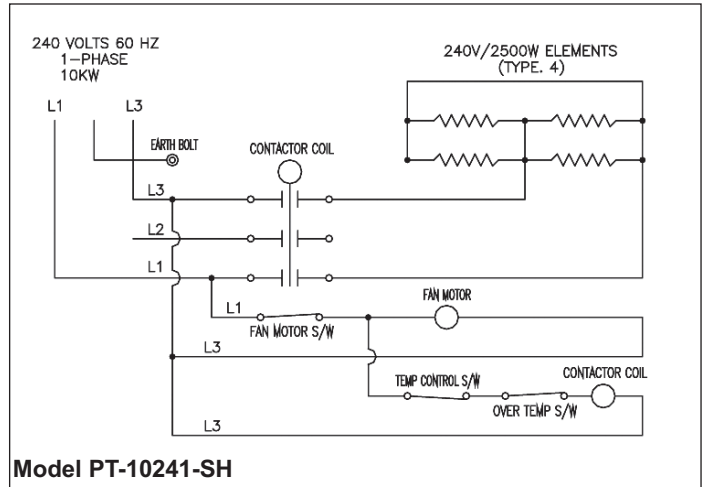
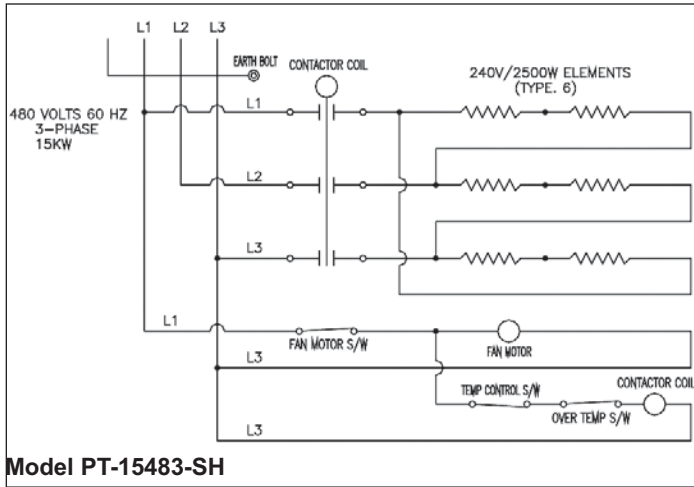
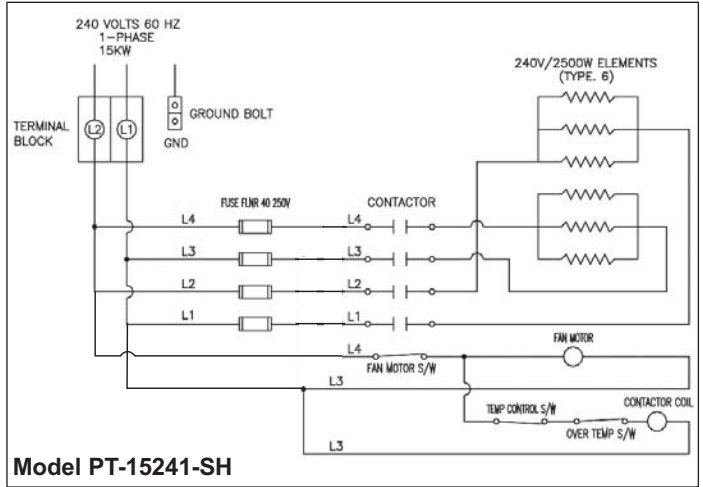
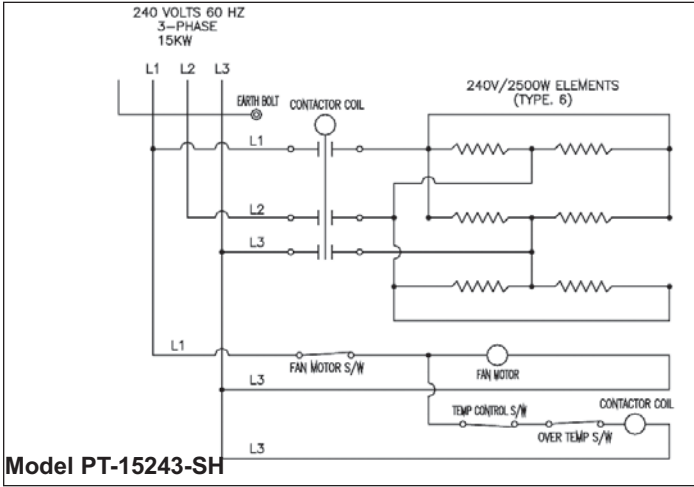


Figure 5 – Wiring Diagrams

**NEVER LEAVE HEATER
UNATTENDED WHILE OPERAT-
ING, OR WHILE CONNECTED TO
A POWER SOURCE.**



Electric Forced Air Heaters

Operating Instructions

Dayton Portable Electric Heaters are designed to circulate room air across the heating element to gradually increase the room temperature. Best results will be obtained when using this heater in smaller, confined spaces with standard ceiling heights. The operation of this heater is controlled by a multi-function thermostat shown in Figure 6 below.

It is possible to operate the heater fan only, or the fan and heater together. Press the switch to the "ON" position for fan only use. To add heat to the fan operation, turn the dial clock-wise to the desired heat setting. Maximum heating will be obtained by turning the dial as far as it will rotate in the clock-wise direction.

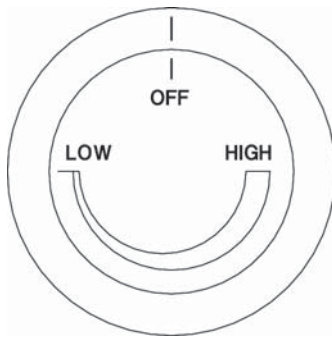


Figure 6 – Thermostat Control

Always allow the fan to operate for at least 3 minutes when you are finished using the heater element. This will allow the heat to be dissipated from the unit.

Be sure access panel (see Figure 7) is secure before and during use of heater.

All Protemp heaters are equipped with an internal temperature sensor that will completely shut down the heater should the sensor exceed the set limit. The heater will automatically reset, once the temperature drops to the proper level.

- Do not use outdoors.
- Do not use where flammable chemicals or liquids are stored.
- Do not use this heater in a residence.
- Always keep this heater at least 3 feet away from any combustible materials.
- Do not modify this heater in any way.
- Do not power this heater when it is near standing water.
- Do not touch heater housing while heater is operating.
- Do not allow power cable to contact any combustible materials

SHUT DOWN INSTRUCTIONS

Turn thermostat knob to OFF position and wait 2-3 minutes then turn fan switch to OFF position.

NOTE: Always operate fan 2-3 minutes after the thermostat has been turned to the OFF position to avoid overheating of the heater housing.

- Always unplug heater when not in use, or turn off at control / service panel.

Maintenance

▲ WARNING **ELECTRIC SHOCK HAZARD.**

- Serious injury or death may occur.
- Disconnect all power before installation or servicing this heater. Failure to do so can result in personal injury or property damage. Heater must be effectively grounded in accordance with the National Electrical Code NFPA 70.v.

▲ WARNING **DANGER OF BODILY INJURY**

Never service heater while it is plugged in, operating or hot. Turn power off at disconnect switch or control / service panel before removing any access panels from heater!

- Dust, lint and debris may affect heater performance. The heater draws air into it during operation. In the process dust, lint or debris will be drawn into your heater and spider webs can build up during off-season. Keep heating element and air passageways clean. Inspect or have these areas inspected annually at the beginning of the heating season by a qualified person. Your portable heater may require frequent cleaning due to excessive lint or debris depending on the surroundings.
- To clean the housing of the heater wipe it down with a clean, moist rag. NEVER hose the unit down.
- Remove any dust or dirt with compressed air.
- NEVER operate the heater without any of the protective guards in place.
- Replace the cable immediately if it should become damaged or cut.
- The motor never needs lubrication. It is permanently lubricated.

Storage

- Store your portable heater in a dry and ventilated place. Make sure storage place is free of corrosive fumes.

**NEVER LEAVE HEATER
UNATTENDED WHILE OPERAT-
ING, OR WHILE CONNECTED TO
A POWER SOURCE.**



**Electric Forced
Air Heaters**

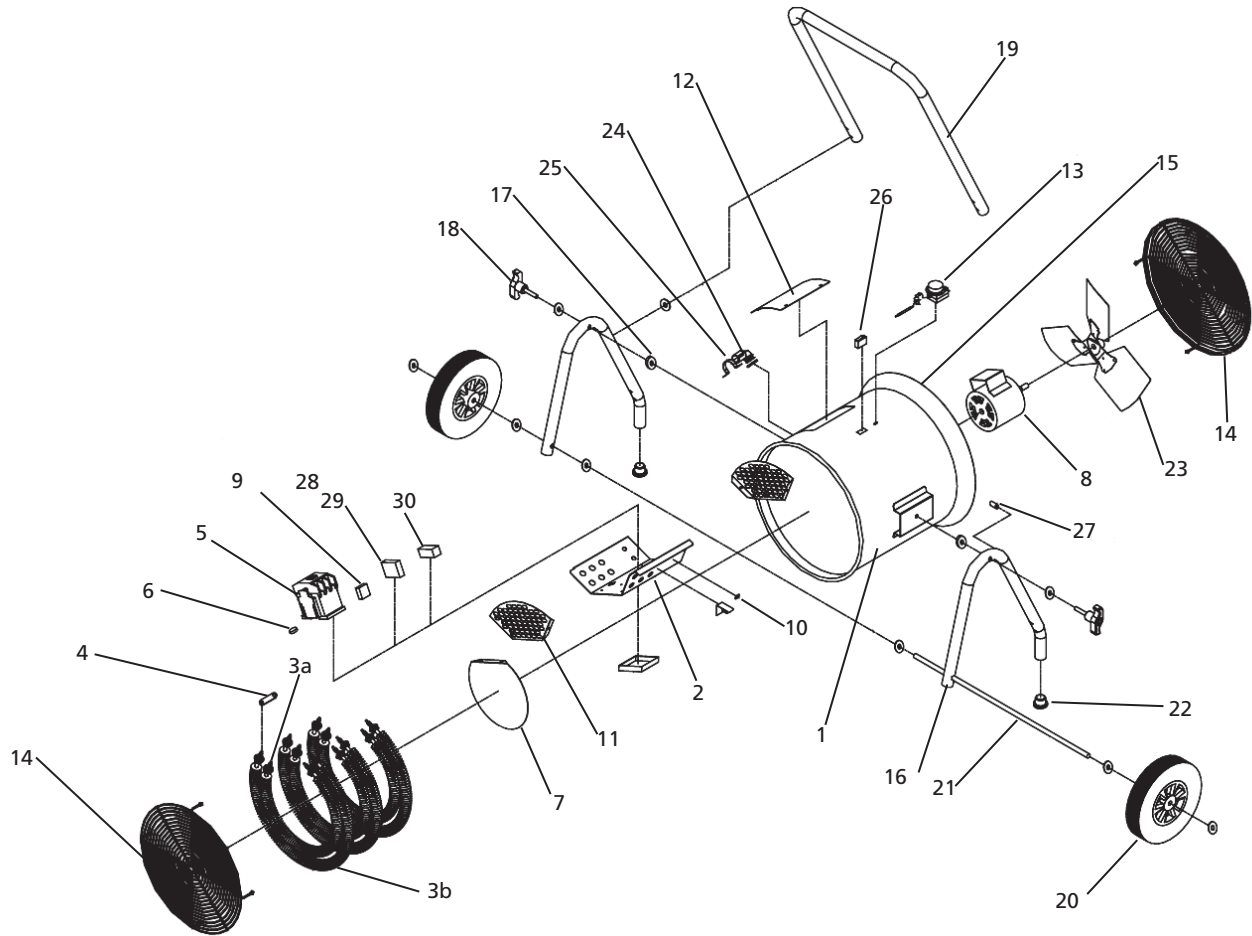


Figure 7 – Exploded Parts Illustration

Replacement Parts List

Ref No.	Description	Part Number for Models:			Qty
		PT-15243-SH	PT-15241-SH	PT-15208-SH	
1	Drum Assembly	80-001-0300	80-001-0300	80-001-0300	1
2	Heater and Motor Bracket	80-002-0100	80-002-0200	80-002-0200	1
3a	Heating Element - inner ring	80-003-0100	80-003-0100	80-003-0300	3
3b	Heating Element - outer ring	80-003-0200	80-003-0200	80-003-0400	3
4	Link	80-004-0100	80-004-0100	80-004-0100	10
5	Magnetic Switch	80-005-0100	80-005-0200	80-005-0400	1
6	Over Temperature Switch	80-006-0100	80-006-0100	80-006-0100	1
7	Air Resister	80-007-0100	80-007-0100	80-007-0100	1
8	Motor Assembly	80-008-0100	80-008-0100	80-008-0300	1
9	Capacitor	80-009-0100	80-009-0100	80-009-0300	1
10	Lead Bushing	80-010-0100	80-010-0100	80-010-0100	2
11	Heater and Motor Bracket Cover	80-002-0400	80-002-0400	80-002-0400	1
12	Access Panel	80-011-0100	80-011-0100	80-011-0100	1
13	Temperature Control Switch	80-012-0100	80-012-0100	80-012-0100	1
14	Guard (front/ rear)	80-013-0100	80-013-0100	80-013-0100	2
15	Rubber Hoop	80-014-0100	80-014-0100	80-014-0100	1

**NEVER LEAVE HEATER
UNATTENDED WHILE OPERAT-
ING, OR WHILE CONNECTED TO
A POWER SOURCE.**



**Electric Forced
Air Heaters**

Replacement Parts List (Continued)

Ref No.	Description	Part Number for Models:			Qty
		PT-15243-SH	PT-15241-SH	PT-15208-SH	
16	Support	80-015-0100	80-015-0100	80-015-0100	2
17	Packing	80-016-0100	80-016-0100	80-016-0100	2
18	Knob	80-017-0100	80-017-0100	80-017-0100	2
19	Handle	80-018-0100	80-018-0100	80-018-0100	1
20	Wheel	80-019-0100	80-019-0100	80-019-0100	2
21	Wheel Shaft	80-020-0100	80-020-0100	80-020-0100	1
22	Support Cushion	80-021-0100	80-021-0100	80-021-0100	2
23	Fan Assembly	80-022-0100	80-022-0100	80-022-0100	1
24	Connector	80-023-0100	80-023-0100	80-023-0100	1
25	Cable Band	80-024-0100	80-024-0100	80-024-0100	1
26	Fan Motor Switch	80-025-0100	80-025-0100	80-025-0100	1
27	Stopper	80-026-0100	80-026-0100	80-026-0100	2
28	Fuse	-	80-028-0100	-	4
29	Fuse Holder	-	80-029-0100	-	4
30	Terminal Block	-	80-030-0100	-	1

Replacement Parts List

Ref No.	Description	Part Number for Models:			Qty
		PT-15483-SH	PT-10241-SH	PT-30483-SH	
1	Drum Assembly	80-001-0300	80-001-0300	80-001-0400	1
2	Heater and Motor Bracket	80-002-0100	80-002-0200	80-002-0300	1
3a	Heating Element - inner ring (Qty)	80-003-0100 (3)	80-003-0100 (2)	80-003-0100 (6)	-
3b	Heating Element - outer ring (Qty)	80-003-0200 (3)	80-003-0200 (2)	80-003-0200 (6)	-
4	Link (Qty)	80-004-0100 (10)	80-004-0100 (6)	80-004-0100 (14)	-
5	Magnetic Switch	80-005-0300	80-005-0400	80-005-0500	1
6	Over Temperature Switch	80-006-0100	80-006-0100	80-006-0100	1
7	Air Resister	80-007-0100	80-007-0100	80-007-0100	1
8	Motor Assembly	80-008-0200	80-008-0100	80-008-0400	1
9	Capacitor	80-009-0200	80-009-0100	80-009-0400	1
10	Lead Bushing	80-010-0100	80-010-0100	80-010-0100	2
11	Heater and Motor Bracket Cover	80-002-0400	80-002-0400	80-002-0400	1
12	Access Panel	80-011-0100	80-011-0100	80-011-0100	1
13	Temperature Control Switch	80-012-0100	80-012-0100	80-012-0100	1
14	Guard (front/ rear)	80-013-0100	80-013-0100	80-013-0100	2
15	Rubber Hoop	80-014-0100	80-014-0100	80-014-0100	1
16	Support	80-015-0100	80-015-0100	80-015-0100	2
17	Packing	80-016-0100	80-016-0100	80-016-0100	2
18	Knob	80-017-0100	80-017-0100	80-017-0100	2
19	Handle	80-018-0100	80-018-0100	80-018-0100	1
20	Wheel	80-019-0100	80-019-0100	80-019-0100	2
21	Wheel Shaft	80-020-0100	80-020-0100	80-020-0100	1
22	Support Cushion	80-021-0100	80-021-0100	80-021-0100	2
23	Fan Assembly	80-022-0100	80-022-0100	80-022-0100	1
24	Connector	80-023-0100	80-023-0100	80-023-0100	1
25	Cable Band	80-024-0100	80-024-0100	80-024-0100	1
26	Fan Motor Switch	80-025-0100	80-025-0100	80-025-0100	1
27	Stopper	80-026-0100	80-026-0100	80-026-0100	2

**NEVER LEAVE HEATER
UNATTENDED WHILE OPERATING,
OR WHILE CONNECTED TO
A POWER SOURCE.**



**Electric Forced
Air Heaters**

LIMITED WARRANTY

Pinnacle Products International, Inc. warrants this heater to the original retail purchaser only, to be free from defects in material and workmanship for a period of one (1) year from the date of initial purchase. This product must be properly installed, maintained and operated in accordance with the instructions provided.

Pinnacle Products International, Inc. requires reasonable proof of your date of purchase from an authorized retailer or distributor. Therefore, you should keep your sales slip, invoice, or cancelled check from the original purchase. This Limited Warranty shall be limited to the repair or replacement of parts, which prove defective under normal use and service within the warranty period, and which **Pinnacle Products International, Inc.** shall determine at its reasonable discretion.

This warranty does not apply to products purchased for rental use.

This Limited Warranty does not cover any failures or operating difficulties due to normal wear and tear, accident, abuse, misuse, alteration, misapplication, improper installation or improper maintenance and service by you or any third party. Failure to perform normal and routine maintenance on the heater, shipping damage, damage related to insects, birds, or animals of any kind, and damage due to weather conditions are also not covered. In addition, the Limited Warranty does not cover damage to the finish, such as scratches, dents, discoloration, rust or other weather damage, after purchase.

All transportation costs for the return of the damaged product or parts will be the responsibility of the purchaser. Upon receipt of damaged item, **Pinnacle Products International, Inc.** will examine the item and determine if defective. **Pinnacle Products International, Inc.** will repair or replace and return the item, freight pre-paid. If **Pinnacle Products International, Inc.** finds the item to be in normal operating condition, or not defective, the item will be returned freight collect. This Limited Warranty is in lieu of all other express warranties. **Pinnacle Products International, Inc.** disclaims all warranties for products that are purchased from sellers other than authorized retailers or distributors.

AFTER THE PERIOD OF THE ONE (1) YEAR EXPRESS WARRANTY EXPIRES, **Pinnacle Products International, Inc.** DISCLAIMS ANY AND ALL IMPLIED WARRANTIES, INCLUDING WITHOUT LIMITATION THE IMPLIED WARRANTIES OF MERCHANTABILITY AND FITNESS FOR A PARTICULAR APPLICATION. FURTHER, **Pinnacle Products International, Inc.** SHALL HAVE NO LIABILITY WHATSOEVER TO PURCHASER OR ANY THIRD PARTY FOR ANY SPECIAL, INDIRECT, PUNITIVE, INCIDENTAL, OR CONSEQUENTIAL DAMAGES. **Pinnacle Products International, Inc.** assumes no responsibility for any defects caused by third parties. This Limited Warranty gives the purchaser specific legal rights; a purchaser may have other rights depending upon where he or she lives. Some states do not allow the exclusion or limitation of special, incidental or consequential damages, or limitations on how long a warranty lasts, so the above exclusion and limitations may not apply to you.

Pinnacle Products International, Inc. does not authorize any person or company to assume for it any other obligation or liability in connection with the sale, installation, use, removal, return, or replacement of its equipment, and no such representations are binding on **Pinnacle Products International, Inc.**

Always be sure to specify model number and serial number when making any claim with **Pinnacle Products International, Inc.** For your convenience use the space provided below to list this information:

Model #: _____

Serial #: _____

Date of Purchase: _____