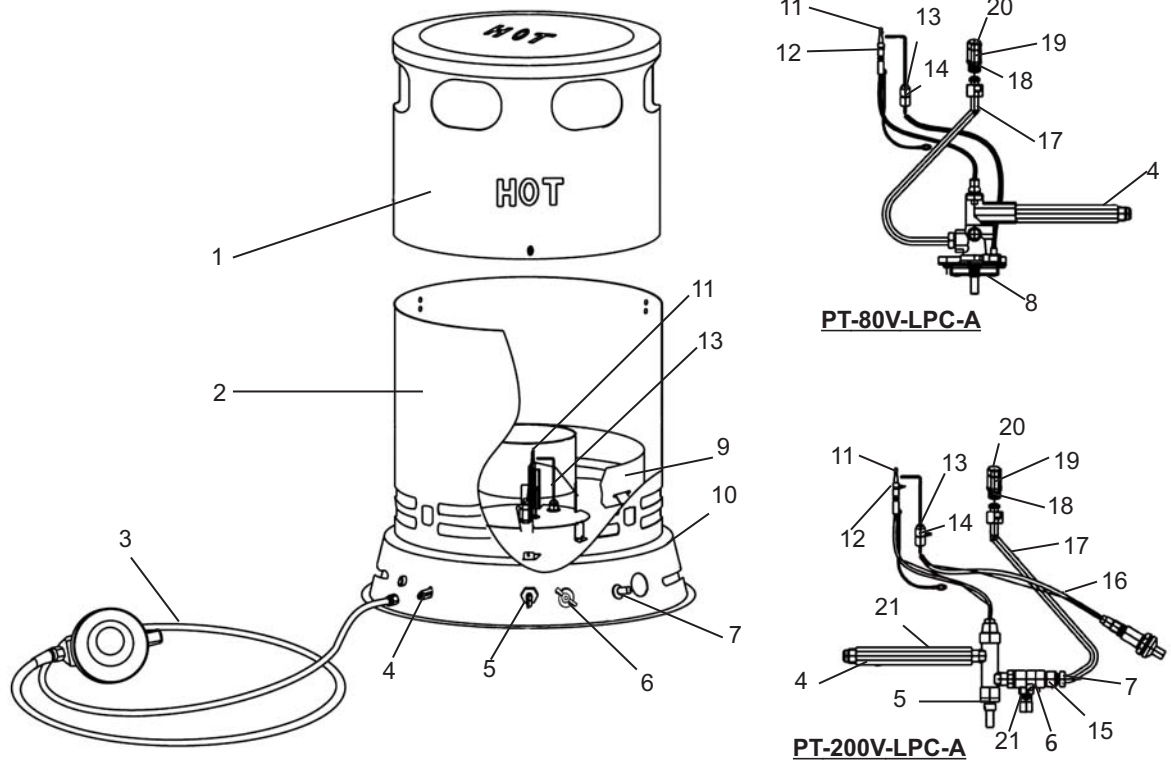


**NEVER LEAVE HEATER UNATTENDED WHILE BURNING, OR WHILE CONNECTED TO A FUEL SOURCE**



**Propane  
Convection Heater**



**Figure 8.** Exploded view of Heater

**Repair Parts List for Propane Convection Construction Heaters**

Reference Number	Description	Part Number for Models:		Quantity
		PT-80V-LPC-A	PT-200V-LPC-A	
- 1	Upper Shell	24-524-0013	24-524-0014	1
2	Lower Shell	24-524-0015	24-524-0016	1
3	Regulator	24-041-0001	24-041-0004	1
4	Inlet Connector	24-507-0013	24-507-0014	1
5	Safety Valve	-	24-013-0003	1
6	Ball Valve	-	24-015-0003	1
7	Piezo Lighter	-	24-122-0003	1
8	Valve Assembly	24-011-0020	-	1
9	Wind Screen	24-526-0001	24-526-0001	1
10	Base	24-501-0010	24-501-0011	1
11	Thermocouple	24-091-0002	24-091-0003	1
12	Thermocouple Bracket	24-504-0007	24-504-0007	1
13	Spark Plug	24-141-0001	24-141-0001	1
14	Spark Plug Bracket	24-504-0008	24-504-0008	1
15	Connector Outlet	-	24-507-0015	1
16	Ignitor Wire	-	24-601-0005	1
17	Outlet Tubing Assembly	24-605-0006	24-605-0007	1
18	Nozzle Nut	24-518-0005	24-518-0005	1
19	Nozzle Holder	24-515-0001	24-515-0001	1
20	Nozzle	24-081-0007	24-081-0008	1
21	Ball Valve Stopper & Bracket	-	24-504-0013	1

**PINNACLE PRODUCTS INTERNATIONAL, INC.** RESERVES THE RIGHT TO MAKE ANY CHANGES IN MATERIALS, SPECIFICATIONS, PRICES OR DESIGN WITHOUT NOTICE. **PINNACLE PRODUCTS INTERNATIONAL, INC.** MAY ALSO DISCONTINUE ITEMS AT ANY TIME.