

**NEVER LEAVE HEATER
UNATTENDED WHILE BURN-
ING OR WHILE CONNECTED
TO A FUEL SOURCE**

PROTEMP®

**Propane
Cabinet Heaters**

Exploded Drawing/Part Breakdown

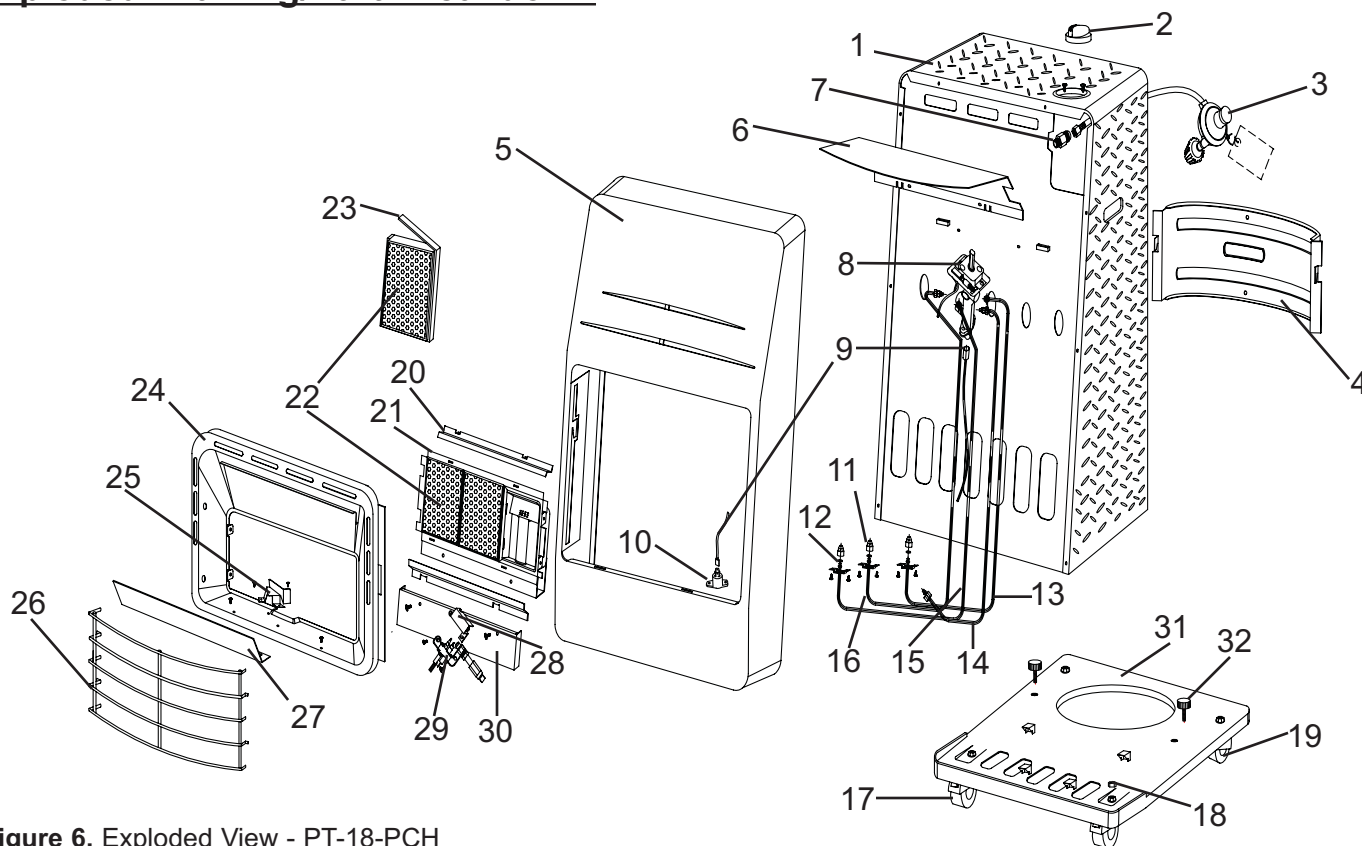


Figure 6. Exploded View - PT-18-PCH

Replacement Parts List

Item Number	Part Description	Part Number
1	Body Frame Assembly	50-001-0150
2	Valve Knob	50-013-0200
3	Regulator Assembly	50-016-0100
4	Back Cover	50-012-0200
5	Front Panel	50-001-0110
6	Heat Plate	50-002-0200
7	Inlet Connector	50-019-0100
8	Manual Valve Assembly	50-013-0200
9	MPU Lead Wire	50-020-0200
10	Tip Over Switch	50-017-0001
11	Nozzle	50-006-0100
12	O-Ring	50-015-0100
13	Tube-R Assembly	50-010-0330
14	Tube-L Assembly	50-010-0310
15	Tube-ODS Assembly	50-010-0300
16	Tube-M Assembly	50-010-0320

Item Number	Part Description	Part Number
17	Front Castor	50-011-0100
18	Nut	50-007-0200
19	Rear Castor	50-011-0200
20	Ceramic Holder	50-026-0100
21	Burner Assembly	50-005-0100
22	Ceramic Plaque	50-005-0160
23	Ceramic Gasket	50-005-0170
24	Reflector	50-003-0200
25	Wind Cover - A	50-018-0100
26	Safety Guard	50-004-0200
27	Heat Shield	50-018-0300
28	Wind Cover - B	50-018-0200
29	ODS Assembly	50-008-0200
30	ODS Bracket	50-009-0200
31	Bottom Plate	50-002-0220
32	Bottom Support	50-002-0210

WARNING! This heater is not intended for residential use.