

PROTEMP

Model: PT-16-PCH-A



IMPORTANT: Read and understand all of the directions in this manual before assembling, starting or servicing the heater. Improper use of this heater can cause serious injury. Keep this manual for future reference.

⚠ GENERAL HAZARD WARNING:

Failure to comply with the precautions and instructions provided with this heater, can result in death, serious bodily injury and property loss, or damage from the hazards of fire, explosion, burn, asphyxiation, and carbon monoxide poisoning.

Only persons who can understand and follow the instructions should use or service this heater. If you need assistance or heater information such as an instruction manual, labels, etcetera, contact the manufacturer.

CONSUMER: Retain this manual for future reference.

Pinnacle Products International, Inc. 668 Stony Hill Road #302 Yardley, PA 19067 USA
Phone: 215-891-8460 Fax: 215-891-8461 Web: www.pinnacleint.com Email: info@pinnacleint.com

WARNING! This heater is not intended for residential use

**NEVER LEAVE HEATER
UNATTENDED WHILE BURNING,
OR WHILE CONNECTED TO A
FUEL SOURCE**



Propane Cabinet Heaters

⚠ WARNING:

Fire, burn, inhalation, and explosion hazard. Keep combustibles, such as building materials, paper or cardboard, a safe distance away from the heater as recommended by these instructions. Never use the heater in spaces which do or may contain volatile or airborne combustibles, or products such as gasoline, solvents, paint thinners, dust particles or unknown chemicals.

⚠ CAUTION: This is an unvented portable heater. It uses air (oxygen) from the area which it is used. Ample combustion and ventilation air must be provided. See VENTILATION page 5.

⚠ WARNING:

If the information in this manual is not followed exactly, a fire or explosion may result causing property damage, personal injury or loss of life.

- Do not store or use gasoline or other flammable vapors and liquids in the vicinity of this or any other appliance.
- An LP cylinder not connected for use shall not be stored in the vicinity of this or any other appliance.
- WHAT TO DO IF THE SMELL OF GAS IS PRESENT:
 - DO NOT attempt to light heater.
 - Extinguish any open flame, and shut off gas to the heater.
 - See Troubleshooting on page 7.
 - If odor continues, contact your local gas supplier or fire department.
 - Do not touch any electric switch, do not use any phone in your building.
 - Immediately call your gas supplier from a neighbor's phone. Follow the gas supplier's instructions.
 - If you can not reach your LP gas supplier, call the fire department.
 - Service must be done by a qualified service agency or gas supplier.

⚠ WARNING:

The state of California requires the following warning:

Combustion by-products produced when using this product contain carbon monoxide, a chemical known to the state of California to cause cancer and birth defects (or other reproductive harm).

⚠ WARNING:

Do not operate this heater until you have read, and thoroughly understand these safety and operating instruction. Failure to comply with the precautions and instructions provided with this heater can result in death, serious bodily injury, property loss or damage from the hazards of fire, explosion, burns, asphyxiation or carbon monoxide poisoning. Only persons who can read and understand these instructions should use or service this heater.

⚠ WARNING: Can be used indoors or outdoors, but never in occupied dwellings.

Table of Contents

Features	3
Specifications	3
Safety Information	3
Propane Supply / Information	4
Product Features	4
Unpacking and Assembly	4
Check for Leaks	4
Ventilation	5
Connecting to Gas Supply	5
Lighting Instructions	5
Testfiring	5
Moving and Positioning	6
Shutdown	6
Storage	6
Troubleshooting Guide	7
Exploded Parts Drawing	8
Replacement Parts	9
Warranty	Back Cover

WARNING! This heater is not intended for residential use.

**NEVER LEAVE HEATER
UNATTENDED WHILE BURNING,
OR WHILE CONNECTED TO A
FUEL SOURCE**



**Propane
Cabinet Heaters**

Specifications

Model #	Rating BTU/Hr	Inlet Gas Pressure		Heating Area	Manifold Pressure	Weight (Lbs)	Size (L x W x H)
		Min	Max				
PT-16-PCH-A	18,000	5 PSI	150 PSI	600 Sq. Ft.	11" W.C.	30	16.6" x 20" x 28.8"

Specifications subject to change without notice

Features

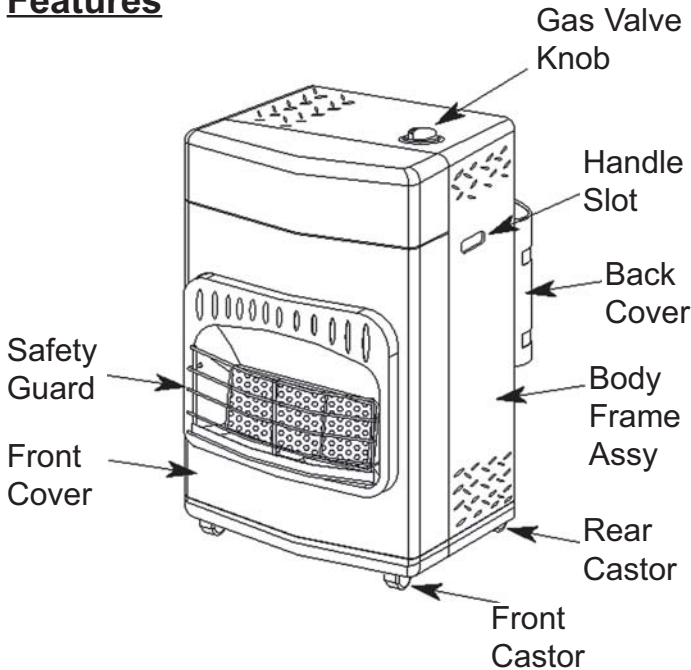


Figure 1. Product Features

Safety Information

This heater is designed for use as a construction heater in accordance with ANSI Z83.7/CSA 2.14. Other standards determine the use of fuel gases and heat producing products for specific uses. This infrared heater's intended use is primarily for the temporary heating of buildings under construction, alteration or repair.

Infrared-fired means that all of the combustion products enter the heated space. This heater is rated at 98% combustion efficiency, but still produces small amounts of carbon monoxide. Carbon monoxide is toxic. Humans can tolerate small amounts of carbon monoxide, and caution should be taken to provide adequate ventilation. Failure to provide adequate ventilation in accordance with this manual could result in death. Early signs of carbon monoxide poisoning resemble the flu.

- The symptoms of inadequate ventilation are:
* **headache** * **dizziness** * **burning of the nose and eyes**
* **nausea** * **dry mouth** or * **sore throat**
- If the heater is being used in the presence of others, be sure to inform them of the proper safety precautions, operating procedures and the hazards involved. Some people are more affected by carbon monoxide than others. These are pregnant women, people with heart or lung disease or anemia, those under the influence of alcohol or at high altitudes.
- This heater is not for use on finished floors.
- Check the heater thoroughly for damage before each use. **DO NOT** operate a damaged heater.
- **DO NOT** modify this heater or operate a heater that has been modified from it's original state. Modifying this heater will void your warranty.
- Keep children and animals away from heater.
- Always set heater on a stable, level surface and use the caster locks to prevent movement of the heater.
- **NEVER** use heater in occupied dwellings **without proper ventilation.**
- Operate in a manner that heater will not be exposed directly to rain or dripping water.
- Keep heater area free from combustible materials such as gasoline, paint thinners and other flammable vapors and liquids. Dust is combustible. Do not use heater in areas of high dust concentration.
- **ALWAYS** maintain proper distance from combustibles.

Minimum clearance from Combustibles:

TOP	SIDES	FRONT
24"	12"	72"

- **NEVER** leave heater unattended.
- Use heater in accordance with all local codes and with CSA 5.90 U.S. (5th Ed.) Infrared Patio Heater. In the absence of local codes, refer to the Standard for the Storage and Handling of Liquefied Petroleum Gases, ANSI/NFPA 58 and the Natural Gas and Propane Installation Code, CSA B149.1.

WARNING! This heater is not intended for residential use.

**NEVER LEAVE HEATER
UNATTENDED WHILE BURNING,
OR WHILE CONNECTED TO A
FUEL SOURCE**



Propane Cabinet Heaters

Propane Supply / Information

You must provide the propane gas and cylinder(s). Use this heater only with a propane vapor withdrawal supply system. Refer to Chapter 5 of the Standard for Storage and Handling of Liquefied Petroleum Gas, ANSI/NFPA 58. Your local library or fire department will have this booklet.

- The cylinder must be equipped with a collar to protect the gas valve, an arrangement of vapor withdrawal, a shutoff valve terminating the cylinder valve outlet as specified in the American National Standard for Compressed Gas Cylinder Valve Outlet and Inlet Connections, and a safety relief valve in direct contact with the vapor space of the tank.
- Always keep the cylinder in an upright position. Avoid knocking the cylinder over on its side with the hose/regulator connected, as this can cause damage to the regulator diaphragm.
- Never store a propane(LP) cylinder indoors or in the vicinity of any gas burning appliances.
- Protect the cylinder valve, and handle it with care.
- Be sure that the shut-off valve is closed tightly after each use.
- Be sure to protect the POL fitting from damage when disconnected. Damage to this fitting can lead to leaks.
- Never connect an unregulated cylinder to the heater. Always use the hose and regulator supplied.
- Never use any other hose and regulator.
- Do not subject the cylinder to excessive heat.

LP Characteristics:

- Flammable, explosive under pressure, heavier than air and pools in low areas.
- In its natural state, propane has no odor, but for safety an odorant that smells like rotten cabbage is added.
- Contact of LP gas with the skin can cause freeze burns.
- Heater is manufactured for use with LP gas only. DO NOT attempt to convert to any other gas. Such modifications are dangerous and will void your warranty.
- When heater is not in use, LP supply must be shut OFF.

The amount of LP gas used by this heater varies. The two factors that will determine this are as follows:

1. The amount of gas in the LP cylinder,
2. The temperature of the LP cylinder and surrounding area.

Product Features

Piezo Ignition: Model PT-16-PCH-A uses a manual Piezo igniter to send a spark when you turn the Gas Valve Knob to "PILOT/IGN (ignition). The spark ignites the fuel at the pilot.

Tip Switch Shut-Off System: The heater is protected by a system whereby the heater shuts off if it is substantially tilted in any direction.

ODS (Oxygen Depletion Sensor): This heater uses an Oxygen Depletion Sensor (ODS) to monitor the oxygen content in the heated space. Should the oxygen level fall below 18%, the flame will no longer touch the thermocouple, stopping electrical current and the heater will shut off.

Adjustable Input Ratings: The heater has 3 temperature ratings (high medium and low). The adjustment knob is located conveniently at the top of the heater, for easy access and control.

Unpacking and Assembly

- Remove heater from Carton (Save carton and packing materials for later storage).
- Remove all protective packaging protecting heater during shipping.
- Inspect heater closely for any damage that may have occurred during shipping. If there is any damage, return the heater to the place of purchase.

⚠ Caution: The Propane (LP) gas pressure regulator and hose assembly supplied with the heater must be used without alteration.

⚠ Caution: Be sure to inspect the regulator hose before each use. If the hose is cut or frayed, replace it with the manufacturer suggested assembly.

Checking for Leaks

To check for leaks, make up a 50/50 solution of dish soap and water. Apply this solution to all gas connections. If bubbles appear, there is a leak. If a leak is found, turn off the gas supply, re-make the leaking connection. If the leak persists after several tries, contact Pinnacle Customer Service at 800-641-6996.

The installation of this heater must meet all local codes and/or gas utility requirements. In the absence of local codes, the National Fuel Code ANSI Z223.1 should be followed.

The minimum clearances to any combustible construction materials must be maintained at all times (see Page 3).

WARNING! This heater is not intended for residential use.

Pinnacle Products International, Inc. Propane Cabinet Heater User's Manual

**NEVER LEAVE HEATER
UNATTENDED WHILE BURNING,
OR WHILE CONNECTED TO A
FUEL SOURCE**



Propane Cabinet Heaters

Ventilation

⚠ Caution: Always provide a fresh air opening in the heated space of at least three square feet (2,800 sq. cm) for each 100,000 BTU/Hr. of heater output. Provide a larger opening if more heaters are being used. As an example, an PT-16-PCH-A heater will require:

- a two-car garage door open 2 inches, or
- a single car garage open 3 inches, or
- two thirty two inch wide windows open 4 inches.

Connecting to Gas Supply

IMPORTANT! Always use a propane (LP) cylinder that has a connection device that is compatible with the hose and regulator assembly supplied.

- Remove the Back Cover by sliding the cover straight up and away from the Heater Body. Place the LP cylinder on the Bottom Plate and replace the Back Cover. (see Figure 2).
- To connect LP cylinder, insert regulator end fitting into cylinder valve, rotate coupling nut clockwise and tighten firmly (see Figure 3).

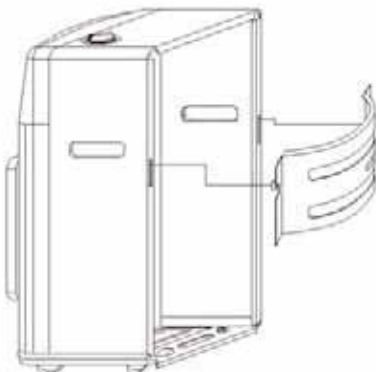


Figure 2. Removing/Replacing Back Cover

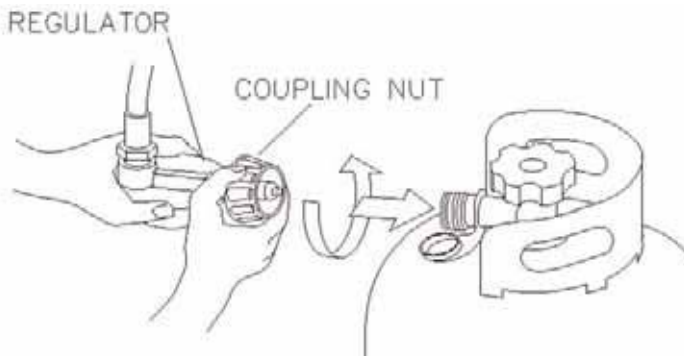


Figure 3. Connecting Hose/Regulator to LP cylinder

- Open valve on propane cylinder slowly. If the valve is not opened slowly, the excess flow check valve in the regulator will stop the flow of gas. If this should happen, close the valve, wait one minute (or until you hear the valve click), and re-open, slowly.
- Be sure to inspect all connections for leaks, by using a 50/50 mixture of dish soap and water on all connection. Any bubbles forming indicate a leak.

Lighting Instructions

1. Turn the knob on the LP cylinder valve counterclockwise to the ON position.
2. Turn the Gas Valve Knob on heater to the OFF position.
3. Wait five (5) minutes for any gas to clear. Smell for gas. If none is evident, proceed to the next step.
4. Push in the Gas Valve Knob on the heater and rotate knob to PILOT/IGN position. (Note: If operating the heater for the first time, or after a replacing the cylinder, hold the control knob down for 30 seconds, then rotate to PILOT/IGN, to allow any air to bleed from the system.) Rotating the Gas Valve Knob to the PILOT/IGN position will cause the piezo igniter to spark and light the pilot. It may be necessary to rotate the Gas Valve Knob (from OFF to PILOT/IGN) several times to ignite the heater.
5. Keep the Gas Valve Knob depressed for at least 30 seconds after the pilot is lit. This will heat the thermocouple. After 30 seconds, release the Gas Valve Knob.
6. If heater fails to light, or does not stay lit, repeat Steps 2 through 6.
7. When burner stays lit, turn Gas Valve Knob to desired setting.

Test Firing Heater

It is always a good idea to test fire your heater in a safe and controlled environment, in an area with adequate ventilation, and away from any combustibles to be sure that all functions of the heater and gas supply system are operating properly.

Leak test all gas connections with a 50/50 solution of dish soap and water. DO NOT use a flame to test for leaks!

WARNING! This heater is not intended for residential use.

**NEVER LEAVE HEATER
UNATTENDED WHILE BURNING,
OR WHILE CONNECTED TO A
FUEL SOURCE**



**Propane
Cabinet Heaters**

Moving and Positioning the Heater

There is a brake in each of the front wheels of your heater that helps keep it in place when in use. To engage the brakes, push the lever down on each wheel.

To move the heater, release the brakes, simply by flipping the levers on both brakes up (See Figure 5).

Shutdown Instructions

1. Turn the Gas Valve Knob to the “PILOT/IGN” position.
2. Turn the Gas Valve Knob to the “OFF” position.
3. Turn the knob at the LP cylinder clockwise to the OFF position.
4. Disconnect Regulator Hose from the LP cylinder.

Storage

Always disconnect the LP cylinder from the regulator assy and remove the LP cylinder from the heater before putting the heater into storage. If for any reason the heater is to be stored indoors, the heater MUST be disconnected from the LP cylinder, and the cylinder stored outdoors in a well-ventilated area, out of the reach of children, and in accordance with the Standard for Storage and Handling of Liquefied Gases, ANSI/NFPA 59 - latest edition. The plastic valve plug or valve cover supplied with the LP cylinder must be reinstalled on the valve to protect the fitting from damage.

NOTE: Repair of this heater should be done by a qualified service person.

⚠ WARNING: Never store an LP cylinder inside of a building, or near any other gas or oil burning appliances.

⚠ CAUTION: Always be sure that the heater has been allowed to cool for at least 30 minutes before attempting to store, service, or maintenance.

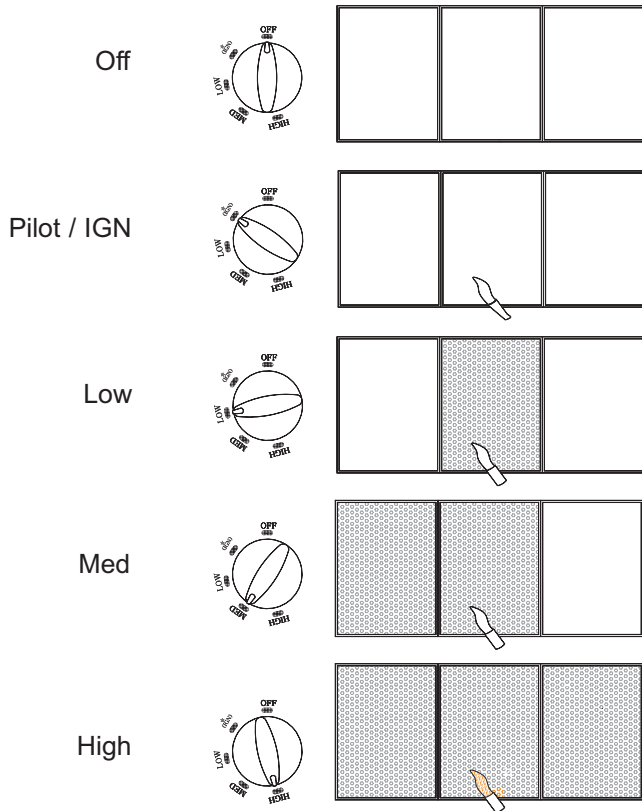


Figure 4. Gas Valve Knob Position/Burner Pattern

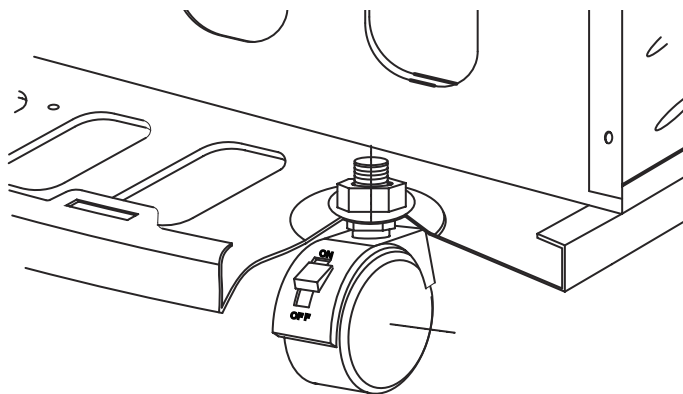


Figure 5. Casters and Brakes

It is recommended that you save all of the packaging materials that came with your heater, and re-package the heater using these materials for safe storage.

Debris, dust and dirt inside of the heater body can affect the performance of your heater. This debris can impair the heaters ability to draw air for ventilation and combustion. Spiderwebs can also appear during periods of inactivity. Be sure to inspect the heater before each use to look for any such obstructions. Be sure to keep the air passageways, burner and combustion areas clean. Wipe with a damp cloth or use a vacuum cleaner to clean these areas.

It is suggested that you perform a thorough cleaning at least once every 30 days of operation. You may need to clean the heater more often if conditions are naturally dirty.

A yellow tipping of the pilot flame indicates that the burner area may be in need of cleaning.

WARNING! This heater is not intended for residential use.

**NEVER LEAVE HEATER
UNATTENDED WHILE BURNING,
OR WHILE CONNECTED TO A
FUEL SOURCE**



**Propane
Cabinet Heaters**

Troubleshooting Guide

Problem	Possible Cause	Solution
Burner does not light	<ol style="list-style-type: none"> 1. Air in gas line 2. Gas pressure from cylinder too low 3. LP cylinder valve turned off 4. Obstruction in air passageway 5. Dirt in pilot orifice 6. Gas valve knob not fully depressed in Pilot/Ign position 7. Safety switch in cylinder valve engaged 8. Tipover switch engaged 9. Out of fuel 	<ol style="list-style-type: none"> 1. Keep depressing the gas control knob for at least 30 seconds to remove any air in line. 2. Check LP cylinder pressure 3. Open LP cylinder valve 4. Inspect and clean heater housing 5. Blow out, or otherwise clean the pilot orifice 6. Be sure to fully depress gas valve knob 7. Close LP cylinder valve. Wait one minute for switch to click off. Reopen LP cylinder valve slowly 8. Move heater to a level surface 9. Replace LP cylinder
No spark is created when ignited	<ol style="list-style-type: none"> 1. Incorrect igniter electrode position 2. Electrode damaged or broken 3. Loose or disconnected igniter wire 4. Broken igniter wire 	<ol style="list-style-type: none"> 1. Properly position electrode 2. Replace the electrode 3. Tighten or reconnect loose wire 4. Replace igniter wire
Heater stops running by itself	<ol style="list-style-type: none"> 1. Thermocouple damaged 2. Gas control valve damaged 3. Gas valve knob not pressed down long enough 4. Gas leak 5. Thermocouple not in contact with pilot flame 6. Tipover switch damaged, or loose connection at tipswitch 7. Out of fuel 	<ol style="list-style-type: none"> 1. Replace thermocouple 2. Replace gas control valve 3. Keep gas valve knob depressed for 30 seconds after pilot is ignited 4. Check all connections for leaks using 50/50 solution of dishsoap and water. Repair any leaks found 5. Clean inside of heater housing 6. Inspect tipover switch and connections. Replace if necessary 7. Replace LP cylinder

WARNING! This heater is not intended for residential use.

NEVER LEAVE HEATER
UNATTENDED WHILE BURNING,
OR WHILE CONNECTED TO A
FUEL SOURCE



Propane
Cabinet Heaters

Exploded Drawing/Part Breakdown

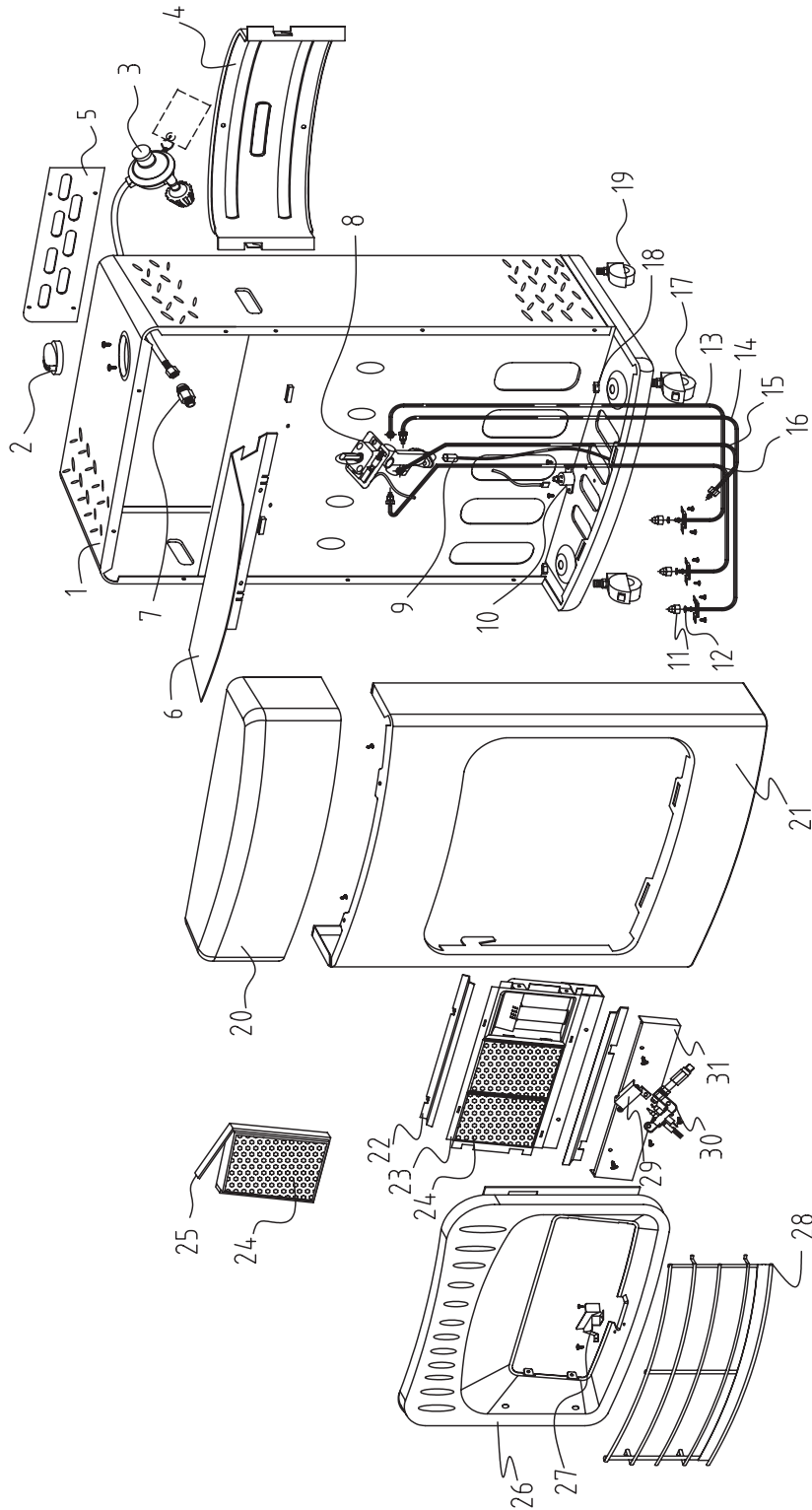


Figure 6. Exploded View - PT-16-PCH-A

WARNING! This heater is not intended for residential use.

**NEVER LEAVE HEATER
UNATTENDED WHILE BURNING,
OR WHILE CONNECTED TO A
FUEL SOURCE**



**Propane
Cabinet Heaters**

Replacement Parts

Ref No.	Part Description	Part Numbers for Model: PT-16-PCH-A
1	Body Frame Assembly	50-001-0500
2	Gas Valve Knob	50-013-0200
3	Regulator / Hose Assembly	50-016-0100
4	Back Cover	50-012-0100
5	Upper Rear Support	50-001-0400
6	Heat Plate	50-002-0200
7	Inlet Connector	50-019-0100
8	Valve Assembly	50-013-0100
9	MPU Lead Wire	50-020-0100
10	Tip-Over Switch	50-017-0001
11	Nozzle	50-006-0100
12	O-Ring	50-015-0100
13	Tube 'R' Assembly	50-010-0130
14	ODS Tube Assembly	50-010-0100
15	Tube 'L' Assembly	50-010-0110
16	Tube 'M' Assembly	50-010-0120
17	Front Castor	50-011-0100
18	Castor Nut	50-007-0200
19	Rear Castor	50-011-0200
20	Upper Front Panel	50-001-0600
21	Front Panel	50-001-0100
22	Ceramic Holder	50-026-0100
23	Burner Assembly	50-005-0100
24	Ceramic Plate	50-005-0160
25	Ceramic Gasket	50-005-0170
26	Reflector	50-003-0100
27	Wind Cover A	50-018-0100
28	Safety Guard	50-004-0100
29	Wind Cover B	50-018-0200
30	ODS Assembly	50-008-0100
31	ODS Bracket	50-009-0200

WARNING! This heater is not intended for residential use.

**NEVER LEAVE HEATER
UNATTENDED WHILE BURNING,
OR WHILE CONNECTED TO A
FUEL SOURCE**



**Propane
Cabinet Heaters**

LIMITED WARRANTY

Pinnacle Products International, Inc. warrants this heater to the original retail purchaser only, to be free from defects in material and workmanship for a period of one (1) year from the date of initial purchase. This product must be properly installed, maintained and operated in accordance with the instructions provided.

Pinnacle Products International, Inc. requires reasonable proof of your date of purchase from an authorized retailer or distributor. Therefore, you should keep your sales slip, invoice, or cancelled check from the original purchase. This Limited Warranty shall be limited to the repair or replacement of parts, which prove defective under normal use and service within the warranty period, and which **Pinnacle Products International, Inc.** shall determine at its reasonable discretion.

This warranty does not apply to products purchased for rental use.

This Limited Warranty does not cover any failures or operating difficulties due to normal wear and tear, accident, abuse, misuse, alteration, misapplication, improper installation or improper maintenance and service by you or any third party. Failure to perform normal and routine maintenance on the heater, shipping damage, damage related to insects, birds, or animals of any kind, and damage due to weather conditions are also not covered. In addition, the Limited Warranty does not cover damage to the finish, such as scratches, dents, discoloration, rust or other weather damage, after purchase.

All transportation costs for the return of the damaged product or parts will be the responsibility of the purchaser. Upon receipt of damaged item, **Pinnacle Products International, Inc.** will examine the item and determine if defective. **Pinnacle Products International, Inc.** will repair or replace and return the item, freight pre-paid. If **Pinnacle Products International, Inc.** finds the item to be in normal operating condition, or not defective, the item will be returned freight collect. This Limited Warranty is in lieu of all other express warranties. **Pinnacle Products International, Inc.** disclaims all warranties for products that are purchased from sellers other than authorized retailers or distributors.

AFTER THE PERIOD OF THE ONE (1) YEAR EXPRESS WARRANTY EXPIRES, **Pinnacle Products International, Inc.** DISCLAIMS ANY AND ALL IMPLIED WARRANTIES, INCLUDING WITHOUT LIMITATION THE IMPLIED WARRANTIES OF MERCHANTABILITY AND FITNESS FOR A PARTICULAR APPLICATION. FURTHER, **Pinnacle Products International, Inc.** SHALL HAVE NO LIABILITY WHATSOEVER TO PURCHASER OR ANY THIRD PARTY FOR ANY SPECIAL, INDIRECT, PUNITIVE, INCIDENTAL, OR CONSEQUENTIAL DAMAGES. **Pinnacle Products International, Inc.** assumes no responsibility for any defects caused by third parties. This Limited Warranty gives the purchaser specific legal rights; a purchaser may have other rights depending upon where he or she lives. Some states do not allow the exclusion or limitation of special, incidental or consequential damages, or limitations on how long a warranty lasts, so the above exclusion and limitations may not apply to you.

Pinnacle Products International, Inc. does not authorize any person or company to assume for it any other obligation or liability in connection with the sale, installation, use, removal, return, or replacement of its equipment, and no such representations are binding on **Pinnacle Products International, Inc.**

Always be sure to specify model number and serial number when making any claim with **Pinnacle Products International, Inc.** For your convenience use the space provided below to list this information:

Model #: _____

Serial #: _____

Date of Purchase: _____